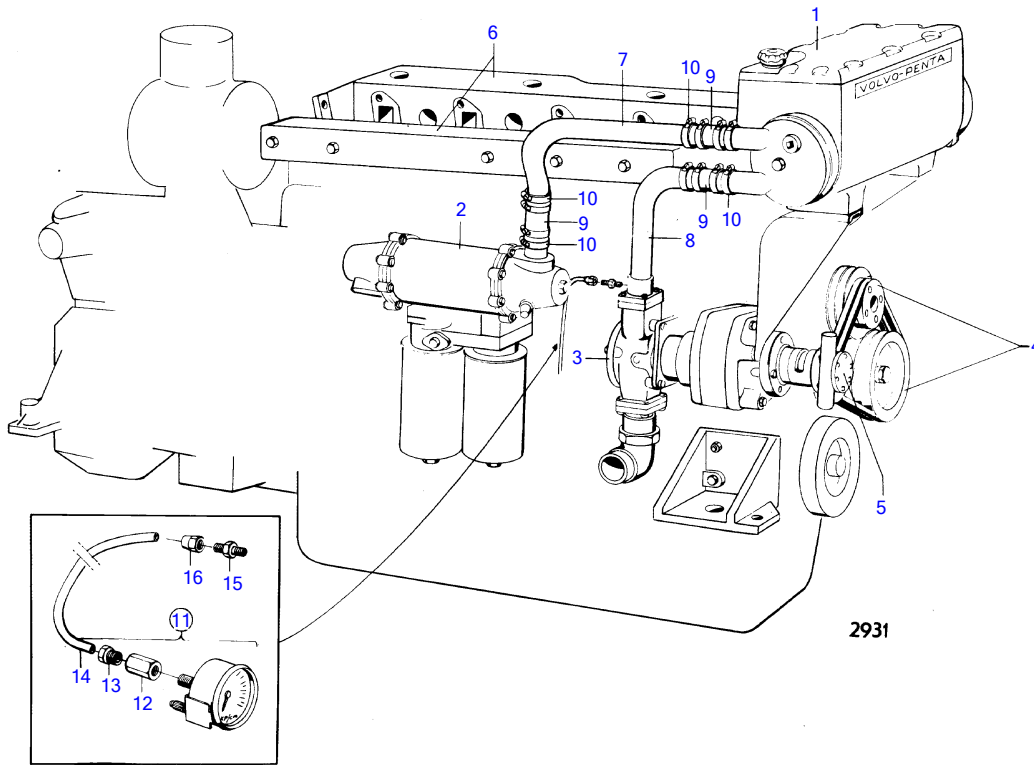


MD100A



MD100A

REF	PART NO.	QTY	DESCRIPTION	SEE SEC.	NOTES
1			heat exchanger and thermostat with installation components	13978	
2			oil cooler with installation components	13979	
3			sea water pump with installation components	13981	
4			circulation pump and drive device with installation components	13983	
5			bilge pump with installation components		See group 9
6		1	induction and exhaust system induction and exhaust system	13984	
				13985	
			system		
				13987	
7	(820731)	1	Tube		Obsolete part
8	(823380)	1	Coolant pipe	13981	Obsolete part
9	952976	X	Rubber hose		L=110mm
10	943477	12	Hose clamp		(951793)
11	(819815)	1	Pressure gauge kit		Obsolete part
12	(809410)	1	• Nut		Obsolete part
13	87698	1	• Fitting screw		
14	(954303)	X	• Tube		L=5000mm, Obsolete part
15	(954334)	1	Nipple		Obsolete part
16	954320	1	Fitting nut		
			keel cooling system		See group 9