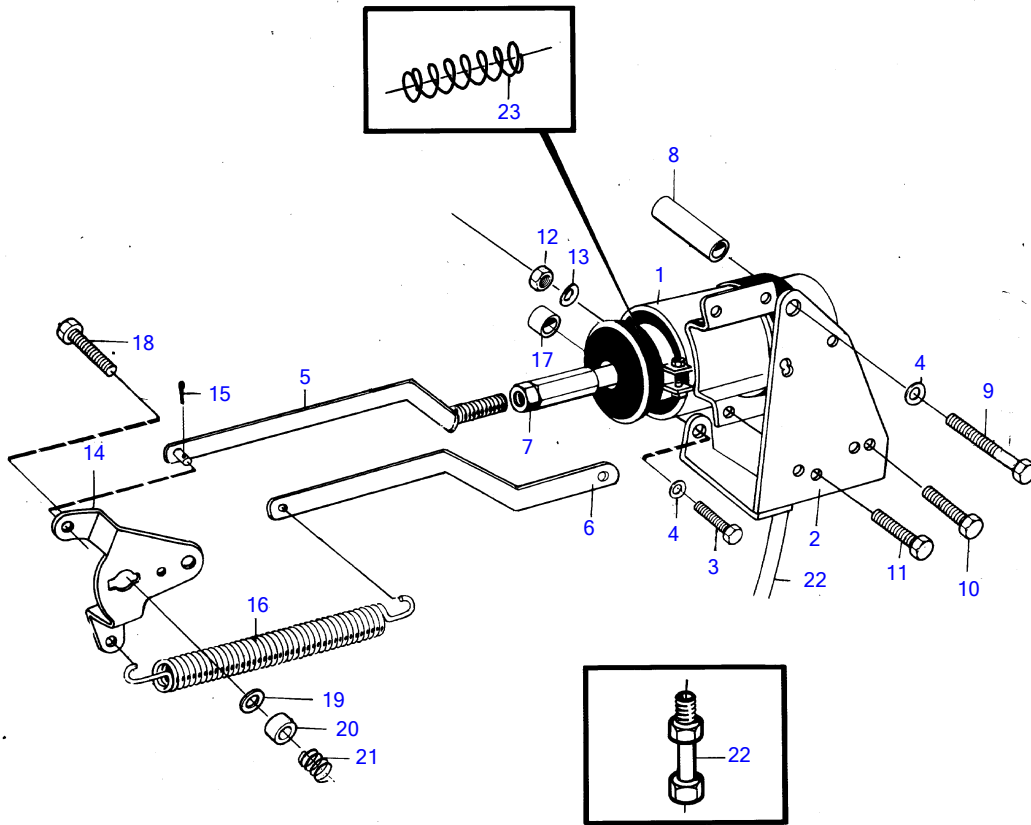


MD100A



5422

MD100A

REF	PART NO.	QTY	DESCRIPTION	NOTES
1		1		Replaced by 1ea 881532,1 ST 881191,1 ST 843401., 12V MO-XXXX/27510
	881531	1	Stop solenoid	12V MOXXXX/27511-
	881277	1	Stop solenoid	Replaced by 1ea 881531,1 ST 881191,1 ST 843401., 24V early type
	881532	1	Magnet	24V later prod
	(820241)	1	Stop solenoid	32V, Obsolete part
2	822649	1	Bracket	
3	940115	1	Hexagon screw	
4	942336	2	Spring washer	
5	845444	1	Pull rod	(822647)
6	(822645)	1	Spring anchorage	Obsolete part
7	955857	1	Hexagon nut	
8	822779	1	Spacer sleeve	
9	955541	1	Hexagon screw	
10	940100	3	Hexagon screw	
11	955513	1	Hexagon screw	
12	955825	4	Hexagon nut	
13	941906	4	Spring washer	
14	821134	1	Lever	See group 2C
15	907824	1	Split pin	
16	819809	1	Spring	
17	823575	1	Spacer sleeve	
18	955270	1	Hexagon screw	
19	941906	1	Spring washer	
22	881191	1	Grommet	MOXXXX/27511-
23	843401	1	Return spring	MOXXXX/27511-