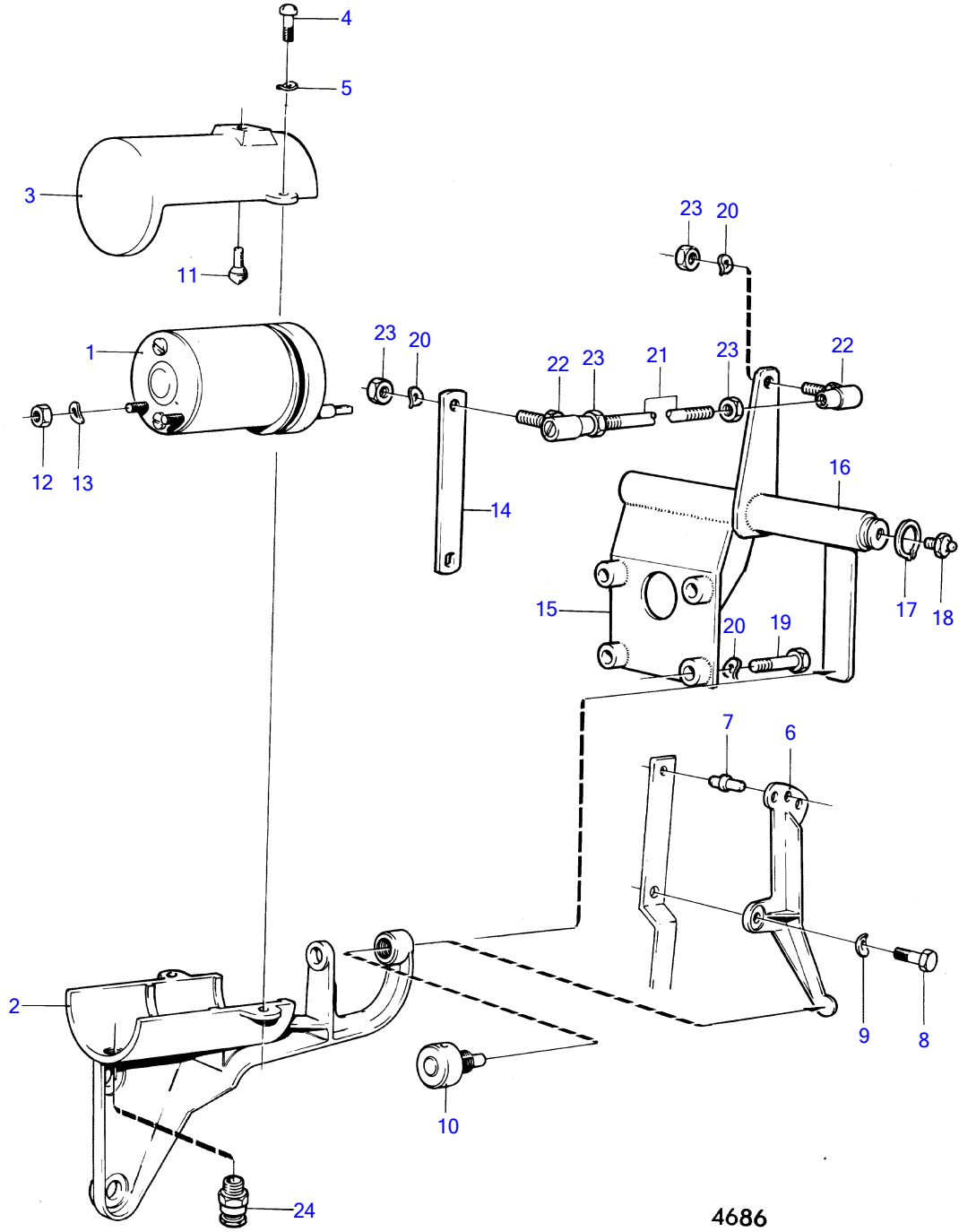


TMD100A, MD100B



## TMD100A, MD100B

REF	PART NO.	QTY	DESCRIPTION	NOTES
1	837941	1	Engine	Spec. 867055, 867132.
			• components	Spec. 867055, 867132.
2	(842078)	1	Bracket	Spec. 867055, 867132., Obsolete part
3	(842079)	1	Cover	Spec. 867055, 867132., Obsolete part
4	956094	2	Cross recessed screw	Spec. 867055, 867132.
5	941906	2	Spring washer	Spec. 867055, 867132.
6		1	control arm	Spec. 867055, 867132., D70B spec. 867060, TD70B spec. 867066., MO-XXXX/23958
7		1	pin	Spec. 867055, 867132., D70B spec. 867060, TD70B spec. 867066., MO-XXXX/23958
8	955272	1	Hexagon screw	Spec. 867055, 867132., MO-XXXX/23958
9	941906	1	Spring washer	Spec. 867055, 867132., MO-XXXX/23958
10	(837427)	1	Slip clutch	Spec. 867055, 867132., Obsolete part
11	(655545)	1	Rubber button	Spec. 867055, 867132., Obsolete part
12	955779	2	Hexagon nut	Spec. 867055, 867132.
13	941904	2	Spring washer	Spec. 867055, 867132.
14	(822733)	1	Lever	Spec. 867055, 867132., MOXXXX/23959-, Obsolete part
15	(843382)	1	Bracket	Spec. 867055, 867132., MOXXXX/23959-, Obsolete part
16	(843381)	1	Lever	Spec. 867055, 867132., MOXXXX/23959-, Obsolete part
17	914446	1	Snap ring	Spec. 867055, 867132., MOXXXX/23959-
18	951739	1	Lubricating nipple	Spec. 867055, 867132., MOXXXX/23959-
19	(949096)	4	Screw	Spec. 867055, 867132., MOXXXX/23959-, Obsolete part
20	941906	6	Spring washer	Spec. 867055, 867132., MOXXXX/23959-
21	(953932)	1	Control rod	Spec. 867055, 867132., MOXXXX/23959-, Obsolete part
22	10844	2	Angle ball joint	Spec. 867055, 867132., MOXXXX/23959-
23	(955856)	4	Nut	Spec. 867055, 867132., MOXXXX/23959-, Obsolete part
24	822327	1	Grommet	Spec. 867055, 867132.