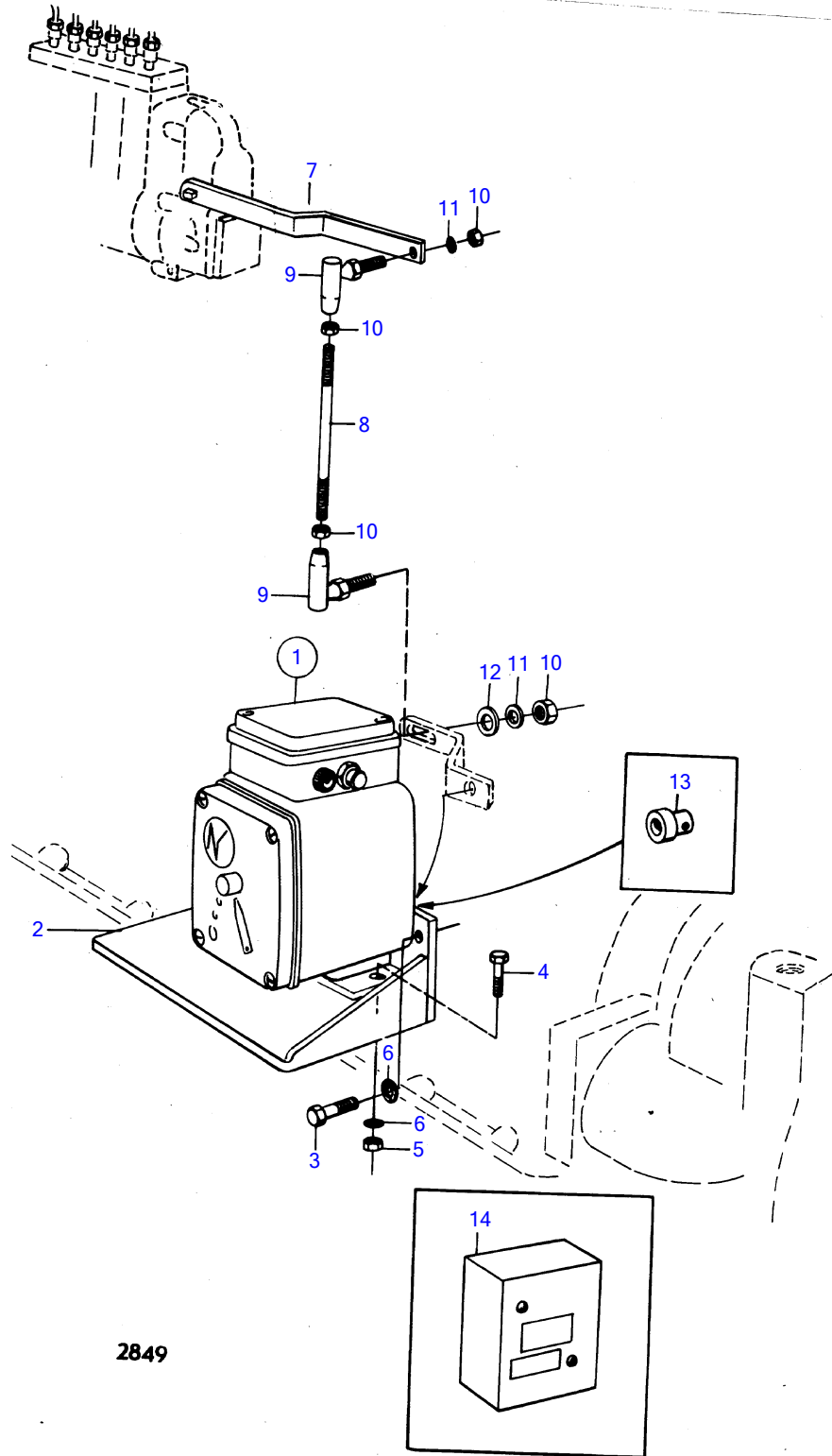


TMD100A, MD100B



2849

TMD100A, MD100B

REF	PART NO.	QTY	DESCRIPTION	NOTES
1	(880603)	1	Control motor • components	Åkerman spec. 867446, 867477, 867454., Obsolete part Åkerman spec. 867446, 867477, 867454.
2	(821023)	1	Bracket	Åkerman spec. 867446, 867477, 867454., Obsolete part
3	940114	2	Hexagon screw	Åkerman spec. 867446, 867477, 867454.
4	940115	2	Hexagon screw	Åkerman spec. 867446, 867477, 867454.
5	955827	2	Hexagon nut	Åkerman spec. 867446, 867477, 867454.
6	942336	4	Spring washer	Åkerman spec. 867446, 867477, 867454.
7	(821027)	1	Lever	Åkerman spec. 867446, 867477, 867454., Obsolete part
8	(953942)	1	Control rod	Åkerman spec. 867446, 867477, 867454., Obsolete part
9	10842	2	Ball joint	Åkerman spec. 867446, 867477, 867454.
10	955846	4	Hexagon nut	Åkerman spec. 867446, 867477, 867454.
11	941906	2	Spring washer	Åkerman spec. 867446, 867477, 867454.
12	955893	2	Washer	Åkerman spec. 867446, 867477, 867454.
13	(822445)	1	Regulator cam	Åkerman spec. 867446, 867477, 867454., Spec. 867055, 867061, 867062., Obsolete part
14	(881217)	1	Transformer	Åkerman spec. 867446, 867477, 867454., Obsolete part