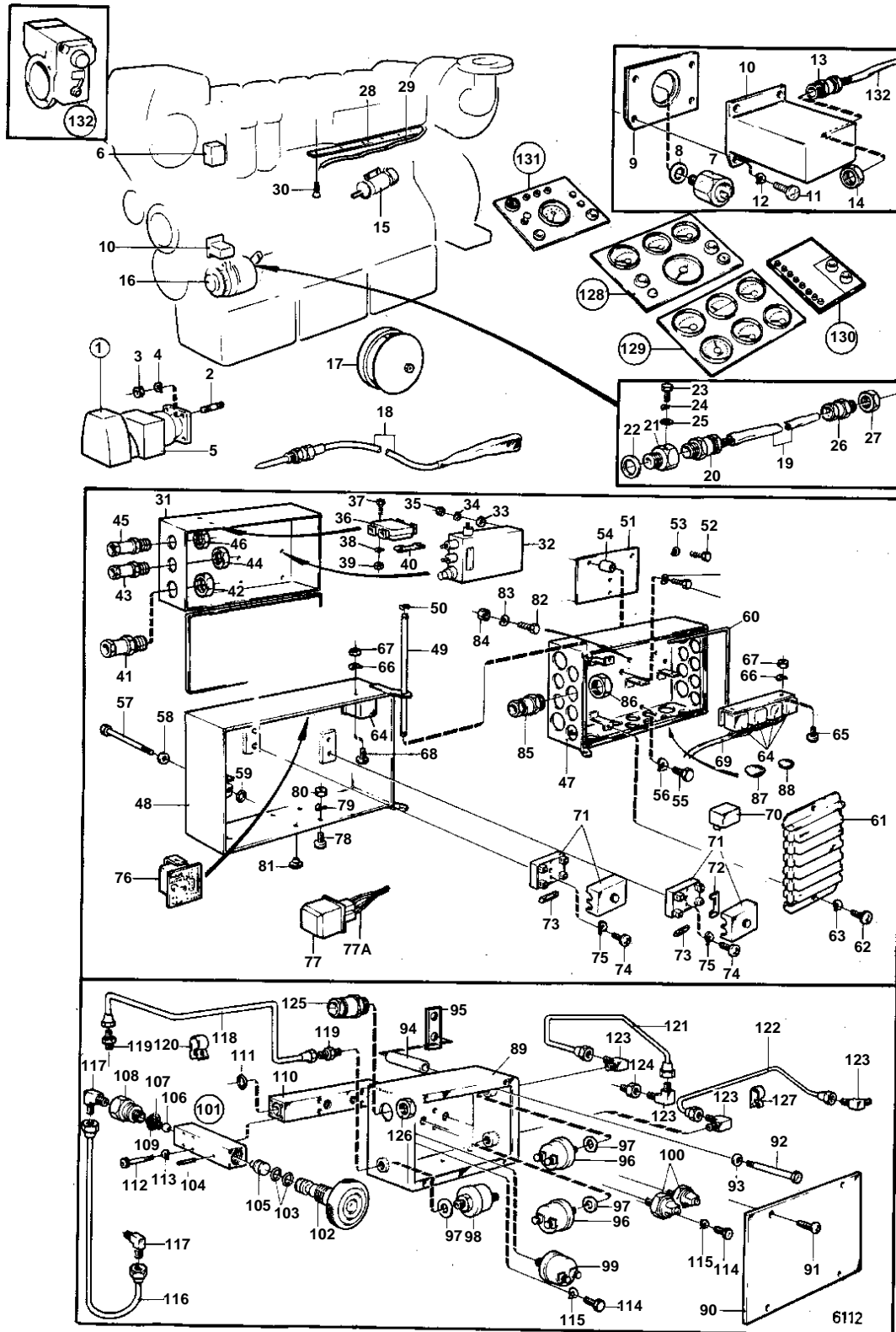


TMD100A SPEC 867670, MD100B SPEC 867669



TMD100A SPEC 867670,MD100B SPEC 867669

REF	PART NO.	QTY	DESCRIPTION	SEE SEC.	NOTES
1	240347	1	Starter motor		24V
				030-1400	
2	953486	3	Stud		
3	955827	3	Nut		
4	942336	3	Spring washer		
5		1	STARTER COVER WITH INSTALLATION COMPONENTS	030-0900	
6		1	· THERMOSWITCH AND PROTECTING BOX WITH INSTALLATION COMPONENTS	030-0850	
7	354671	1	Tachometer sensor		
8	925059	1	O-ring		
9	843103	1	Attaching plate		
10	843102	1	Box		
11	956060	4	Screw		
12	941904	4	Spring washer		
13	822327	1	Cable union		
14	880243	1	Nut		
15		1	STOP SOLENOID WITH INSTALLATION COMPONENTS		SEE GROUP 2D
16		1	ALTERNATOR WITH INSTALLATION COMPONENTS		28V 25A
				030-0450	
		1	ALTERNATOR WITH INSTALLATION COMPONENTS		28V 60A
				030-0600	
17	823214	1	Bell		
18	842950	1	Temperature sensor, EXHAUST TEMP.		
19	846346	X	Cable		24V 60A
20	1585410	1	Fitting		24V 60A
21	843197	1	Retainer		24V 60A
22	925063	1	O-ring		24V 60A
23	955269	1	Screw		24V 60A
24	941907	1	Spring washer		24V 60A
25	960139	1	Washer		24V 60A
26	881193	1	Cable union		24V 60A
27	843091	1	Intermediate sleeve		24V 60A
28		X	CABLE HOLDERS		
29		X	CABLES		CAN'T BE USED ON ALTERNATOR 841765.
				030-1950	
30	950144	2	Screw		
31	846266	1	Electrical distribut		24V 60A
32	823766	1	Charge regulator		24V 60A
				030-1350	
33	955893	4	Washer		24V 60A
34	941906	4	Spring washer		24V 60A
35	955846	4	Nut		(921780) 24V 60A
36	843101	1	Fuse box		24V 60A
37	956076	2	Screw		24V 60A
38	941905	2	Spring washer		24V 60A
39	955780	2	Nut		24V 60A
40	239148	2	Fuse		80A 24V 60A
41	881194	1	Cable union		24V 60A
42	1585467	1	Nut		24V 60A
43	881193	1	Cable union		24V 60A
44	880755	1	Nut		24V 60A
45	822327	1	Cable union		24V 60A
46	880243	1	Nut		24V 60A
47	843124	1	Electrical distribut		

TMD100A SPEC 867670,MD100B SPEC 867669

REF	PART NO.	QTY	DESCRIPTION	SEE SEC.	NOTES
48	843126	1	Cover		
49	837838	1	Shaft		
50	951667	2	Lock ring		
51	842497	1	Bracket		
52	940186	3	Screw		L = 38 MM
53	941907	3	Spring washer		
54	829653	3	Sleeve		
55	955524	3	Screw		L = 19 MM
56	941907	3	Spring washer		
57	955561	1	Screw		
58	960138	1	Washer		
59	955978	1	Rubber ring		
60	842224	X	Sealing strip		L = 1000 MM
61	843095	1	Terminal block		
62	956074	2	Screw		
63	941905	2	Spring washer		
64	1504951	5	Relay		
65	956076	2	Screw		
66	941905	4	Spring washer		
67	955780	4	Nut		
68	956074	2	Screw		
69	846211	1	Cable trunk		
70	837722	1	Resistor		
71	88578	4	Fuse box		
72	842390	2	Bridge connector		
73	943905	2	Fuse		25A
	942545	4	Fuse		5A
	11433	2	Fuse		8A
74	956060	8	Screw		
75	941904	8	Spring washer		
76	842987	1	Voltage sensor		
77	4803292	1	Charge regulator		24V 25A
77A	845976	1	Cable trunk		
78	956076	2	Screw		
79	941905	2	Spring washer		
80	955780	2	Nut		
81	655545	2	Rubber button		
82	956060	2	Screw		
83	941904	2	Spring washer		
84	955779	2	Nut		
85	881193	1	Cable union		
	822327	5	Cable union		
	881192	1	Cable union		
86	880243	6	Nut		
	880755	1	Nut		
87	662620	5	Rubber button		D = 28 MM
88	94081	7	Rubber button		D = 22 MM
89	843063	1	Box		
90	843064	1	Cover		
91	958244	4	Screw		
92	959794	1	Screw		
93	941904	1	Spring washer		
94	821542	1	Spacer sleeve		
95	965540	1	Bracket		
96	846311	2	Pressure sensor		
97	947624	3	Gasket		
98	837782	1	Pressure sensor		
99	843231	1	Oil pressure sensor		
100	843813	2	Switch		
101	837928	1	Valve		
102	837930	1			
103	925052	2	· Rubber ring		
104	951938	1	· Spring pin		

TMD100A SPEC 867670,MD100B SPEC 867669

REF	PART NO.	QTY	DESCRIPTION	SEE SEC.	NOTES
105	837932	1	• Intermediate section		
106	70472	1	• Ball		
107	832441	1	• Spring		
108	837929	1			
109	955985	1	• O-ring		
110	837938	1	Intermediate section		
111	955984	1	Sealing ring		
112	959181	4	Screw		
113	941904	4	Spring washer		
114	942001	4	Screw		
115	941906	4	Spring washer		
116	845895	1	Tube, OIL PRESSURE		
117	954342	2	Elbow union		
118	845896	1	Tube, AIR PRESSURE		
119	954335	2	Fitting		
120	940374	1	Clamp		
121	845898	1	Tube, SEA WATER PRESSURE		
122	845897	1	Tube, WATER PRESSURE		
123	954343	4	Elbow nipple		
124	836192	1	Nipple		
125	881193	1	Cable union		
126	880755	1	Nut		
127	942400	1	Clamp		
128	846313	1	Instrument panel		
				030-1850	
129	843078	1	Instrument panel		
				030-1700	
130	843307	1	Alarm panel		ALARM
				030-1750	
	846696	1	Alarm panel		ALARM. SPECIAL PRODUCTION FOR EXCAVATOR TYPE" HYMAC".
				030-1775	
131	846315	1	Instrument panel		FLYBRIDGE
				030-1925	
132		1	EMERGENCY STOP	030-0975	