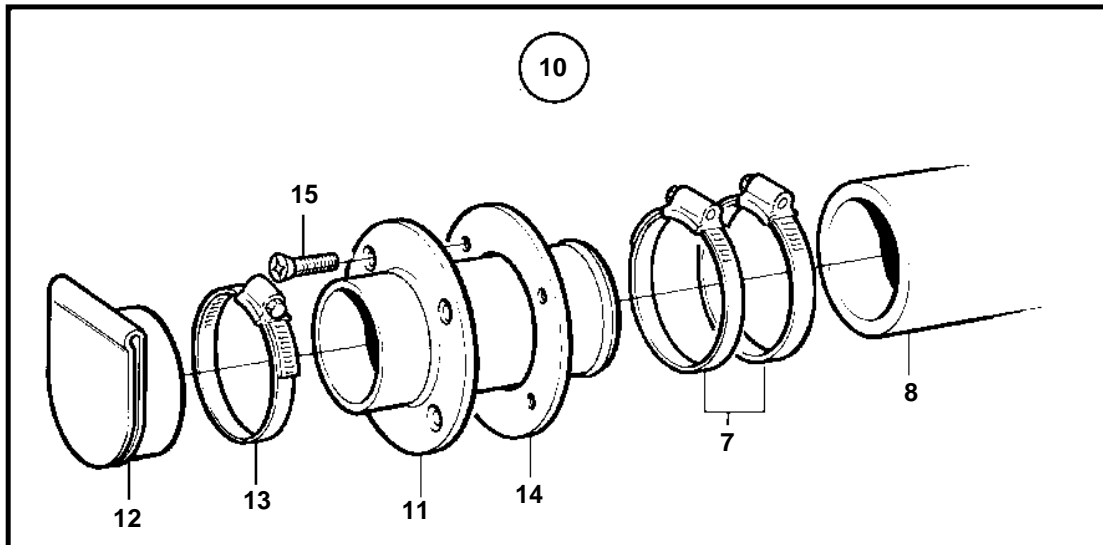
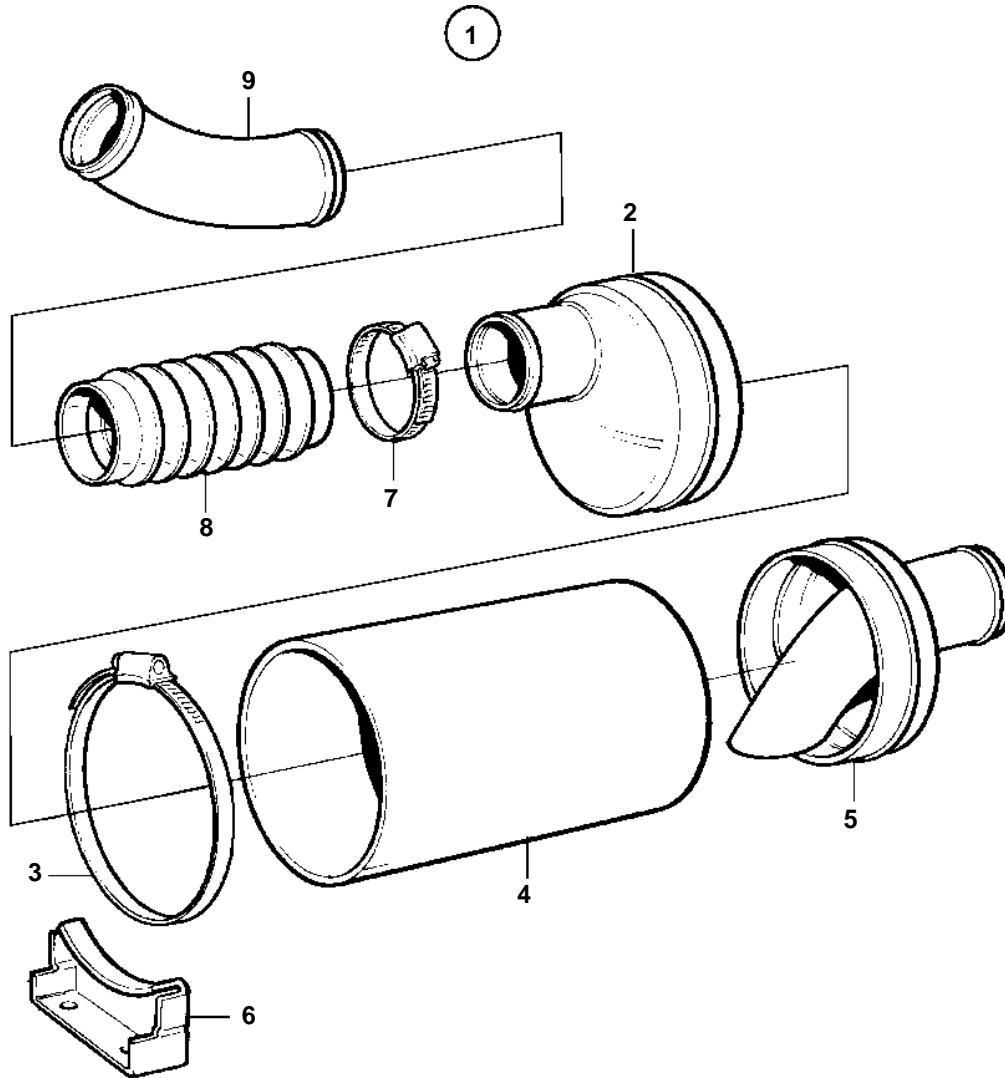


KAMD42P-A, KAMD43P-A, KAMD44P-A



KAMD42P-A, KAMD43P-A, KAMD44P-A

REF	PART NO.	QTY	DESCRIPTION	NOTES
1	854760	1	Muffler	
2		1	· End plate	
3	949000	4	· Clamp	
4	842766	1	· Hose	
5		1	· End plate	
6	842767	2	· Bracket	
7	853012	X	Hose clamp	
8	1140668	X	Exhaust hose	(854763)
9	872017	1	Riser	45°
	872024	1	Riser	90°
10	854754	1	Hull fitting	
11		1	· Grommet	
12	854481	1	· Flap	
13	853012	1	· Hose clamp	
14	854490	1	· Gasket	
15	961348	4	· Screw	