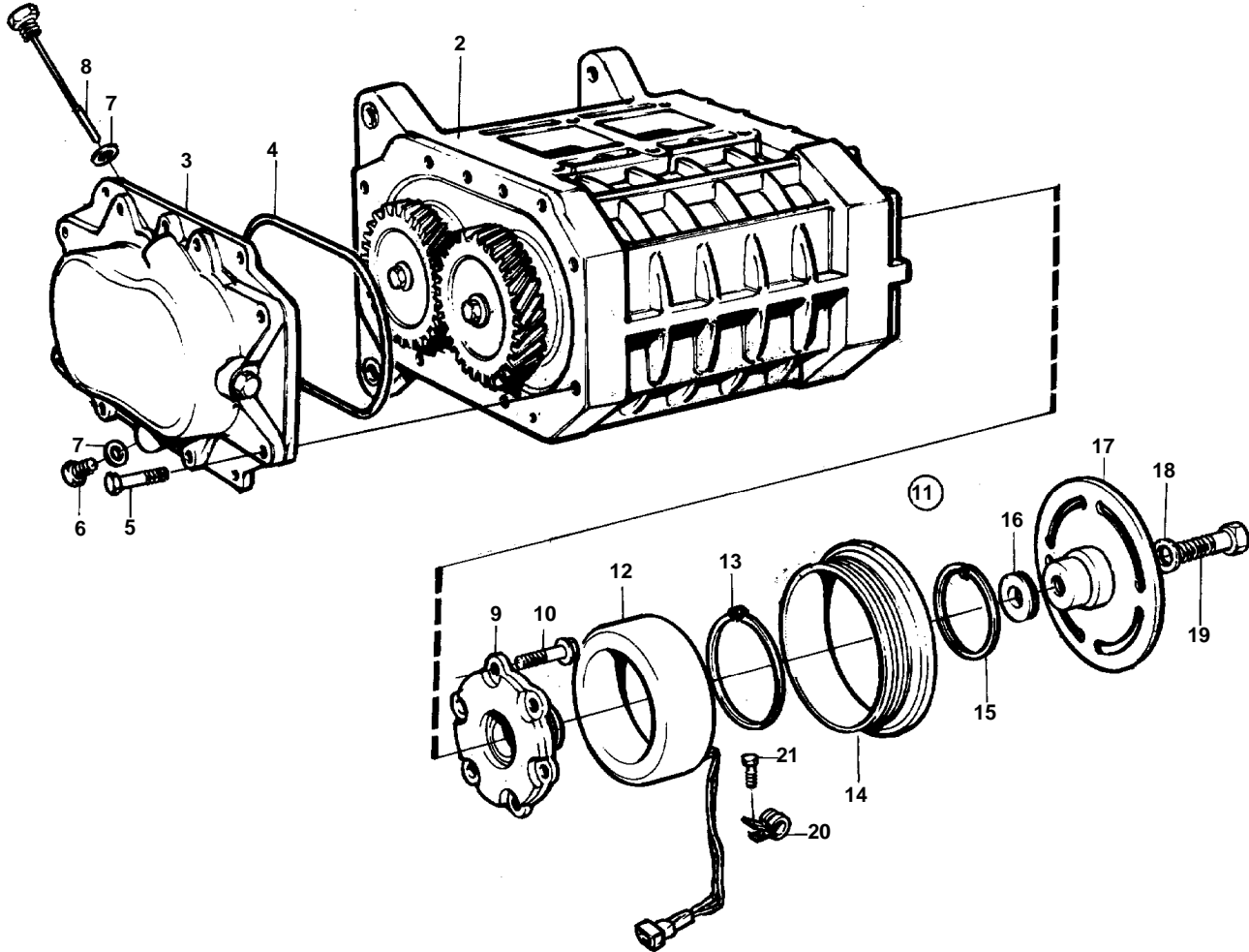


①



REF	PART NO.	QTY	DESCRIPTION	NOTES
1	3581061	1	Compressor	(860360)
	3803263	1	Compressor, exch	Exchange unit
2		1	· Housing	
3		1	· Cover	
4	861028	1	· O-ring	Up to and including serial no, compressor, SN-91030200.
	861037	1	· O-ring	From serial No, compressor SN91040001-.
5	965212	8	· Screw	
6	861027	1	· Plug	
7	907132	2	· Gasket	
8	861026	1	· Oil dipstick	
9	3581722	1	· Pin	
	3581723	1	· Pin	SN93050001-
10	861025	6	· Screw	
11	3581724	1	· Clutch	(3581062), (860786)
12		1	· · Magnet	
13	914470	1	· · Lock ring	
14		1	· · Pulley	
15	861032	1	· · Lock ring	
16	861033	X	· · Spacer	TH = 0,1mm
	861034	X	· · Spacer	TH = 0,3mm
17		1	· · Companion flange	
18	861036	1	· · Washer	
19	861025	1	· · Screw	
20	861030	2	· · Clamp	
21		2	· Screw	