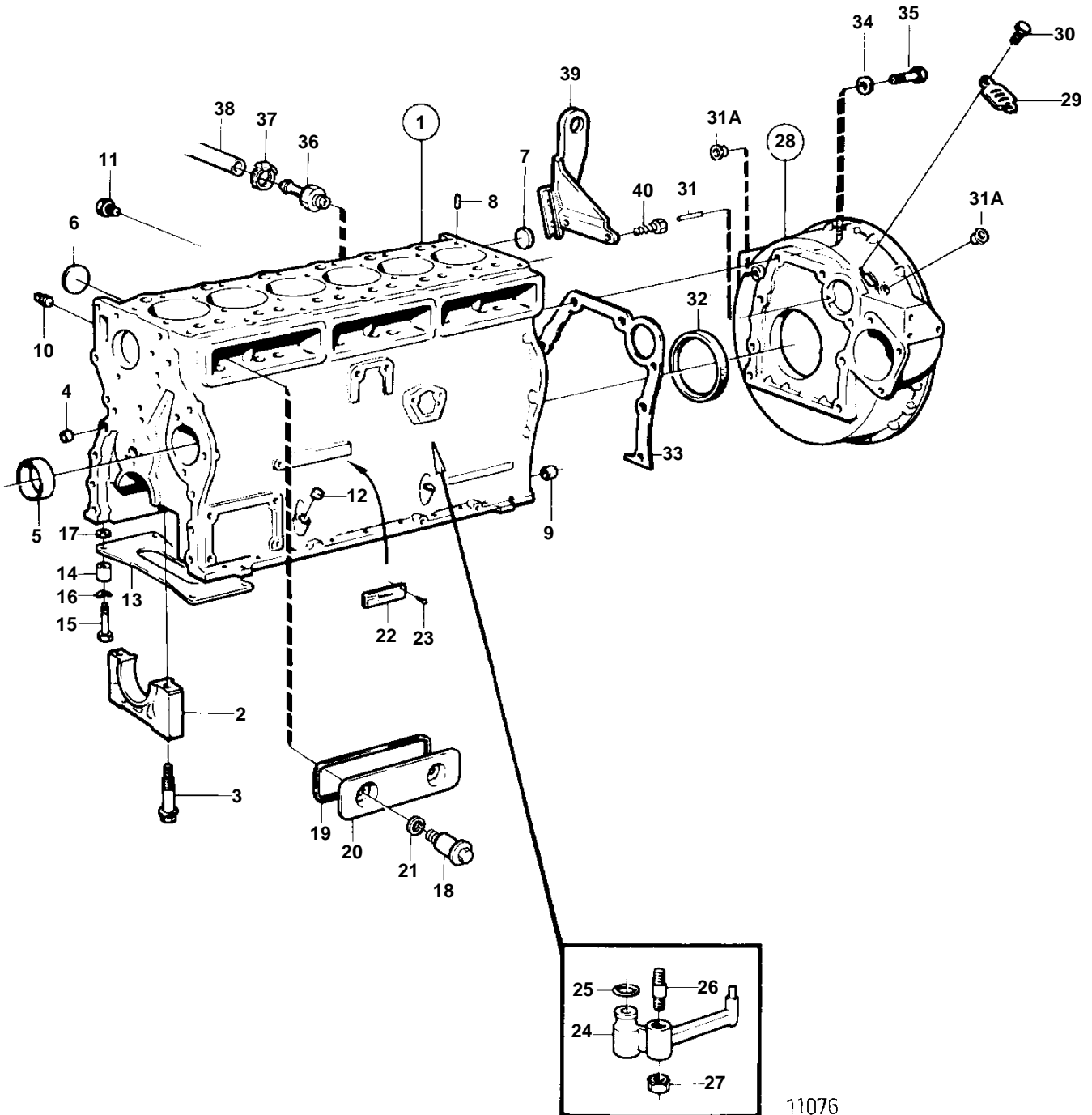


KAMD42A,KAD42A



KAMD42A,KAD42A

REF	PART NO.	QTY	DESCRIPTION	NOTES
1	860463	1	Cylinder block	
	861016	1	Cylinder block	REPL BY 861016
2		7	· BEARING CAP	SN2204203835-
3	860464	14	· Flange screw	SN-2204203834
	861005	14	· Flange screw	SN2204203835-
4	955083	4	· Cap plug	
5	1542067	7	· Bushing	
6	463905	5	· Expansion plug	
7	1542263	1	· Expansion plug	
8	946402	2	· Pin	
9	415311	3	· Sleeve	
10	952077	2	Plug	
11	191026	5	Plug	
12	955082	1	Cap plug	ALT
	955082	2	Cap plug	ALT
13	1545159	1	Foot plate	
14	1545160	4	Spacer sleeve	
15	965187	4	Screw	
16	941908	4	Spring washer	EARLY TYPE
17	1545204	4	Spacer sleeve	
18	859447	6	Shoulder screw	
19	1542052	3	Rubber seal	
20	1542050	3	Inspection lid	
21	469846	6	Sealing ring	
22		1	ENGINE SIGN	
23	950885	2	Drive screw	
24	1542320	6	Oil jet	
25	955981	6	O-ring	
26	1542380	6	Stud	
27	946035	6	Lock nut	
28	860690	1	Flywheel housing	
29	407092	1	· Cover	
30	965175	2	· Screw	
31	404069	1	· Setting indicator	
31A	860926	2	· Plug	
32	860971	1	Sealing ring	
33	829487	1	Gasket	
34	941908	8	Spring washer	
35	965185	6	Flange screw	L = 40 MM
	965220	2	Flange screw	L = 45 MM
36	860819	1	Nipple	
37	943470	1	Hose clamp	
38	952967	1	Rubber hose	L = 900 MM, SEE GROUP 2B
39	860419	1	Lifting eye	
40	946329	2	Flange screw	