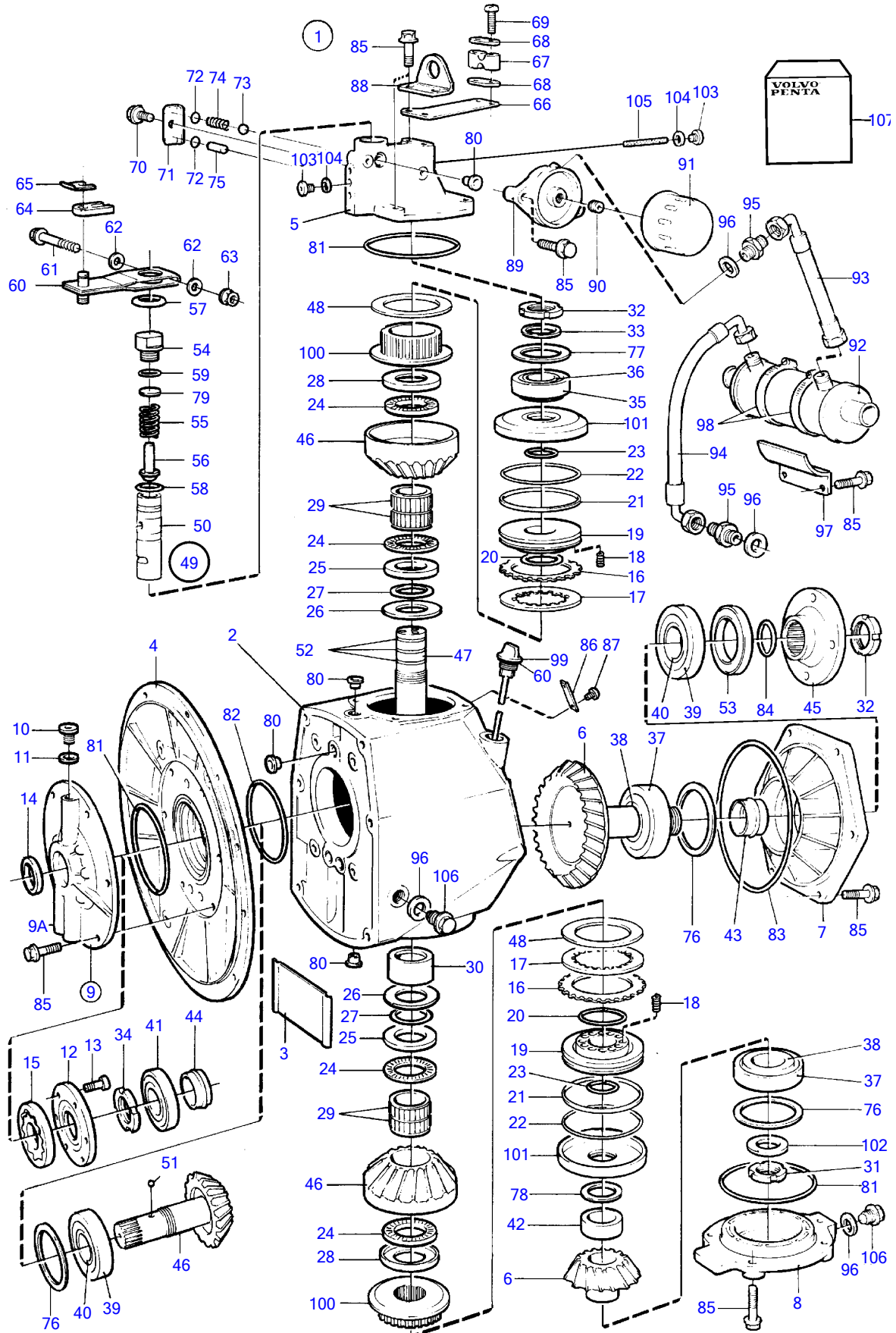


HS1A



23757

HS1A

REF	PART NO.	QTY	DESCRIPTION	SEE SEC.	NOTES
1	873171	1	Transmission		Ratio 1.96:1
	3803501	1	Lower gear, exch, exch		Ratio 1.96:1
2	(872500)	1	• Gear housing		Obsolete part
3	872574	1	• Shield		
4	872501	1	• Cardboard tube		
5	872725	1	• Valve housing		
6	872510	1	• Drive gear set		
7	872505	1	• Bearing housing		
8	872506	1	• Bearing housing		
9	3851512	1	• Oil pump		
9A		1	• • Oil pump housing		
10	945065	3	• • • Plug		
11	969011	3	• • • Gasket		
12		1	• • • Lock		
13	942001	6	• • • Hex. socket screw		
14	6842273	1	• • • Lip seal		Included in gasket kit.
15		1	• • • Pump element		
16		14	• Disc		Included in disc kit.
17		16	• Disc		Included in disc kit.
18	872580	26	• Spring		
19	872518	2	• Piston		
20	977891	2	• O-ring		Included in gasket kit., Included in piston ring kit.
21		2	• Piston ring		Included in piston ring kit.
22		2	• O-ring		Included in piston ring kit.
23	872522	2	• Lock ring		
24	184175	4	• Needle roller assemb		
25	184239	2	• Raceway washer		
26	872581	2	• Spring washer		
27	956000	2	• O-ring		Included in gasket kit.
28	872570	2	• Thrust washer		
29	184798	4	• Needle roller assemb		
30	872587	1	• Roller bearing		
31	969072	1	• Round nut		Included in gasket kit.
32	969073	2	• Round nut		Included in gasket kit.
33	872520	1	• Washer		
34	969074	1	• Round nut		Included in gasket kit.
35	181304	1	• Cup		
36	181303	1	• Inner ring		
37	183403	2	• Cup		
38	183649	2	• Inner ring		
39	181036	2	• Cup		
40	184797	2	• Inner ring		
41	183232	1	• Roller bearing		
42	872521	1	• Spacer sleeve		
43	872568	1	• Pretensioning sleeve		
44	872569	1	• Pretensioning sleeve		
45	872523	1	• Flange		
46	872507	1	• Drive gear set		
47	872515	1	• Shaft		
48	872794	2	• Disc spring		
49	872524	1	• Valve		
50		1	• Valve		
51	1521240	1	• Ball		
52		3	• Piston ring		Included in piston ring kit.
53	872701	1	• Sealing ring		Included in gasket kit.
54	872525	1	• Housing		
55	872585	1	• Spring		
56	(873519)	1	• Service kit		Obsolete part
57	872567	1	• Cardboard tube		
58	977890	1	• O-ring		Included in gasket kit.
59	925058	2	• O-ring		Included in gasket kit.
60	872526	1	• Intermediate lever		
61	955252	1	• Hexagon screw		

HS1A

REF	PART NO.	QTY	DESCRIPTION	SEE SEC.	NOTES
62	940090	2	• Washer		
63	963104	1	• Lock nut		
64	872075	1	• Anchorage		
65	(873265)	1	• E-circlip		Obsolete part
66	872528	1	• Bracket		
67	872074	1	• Retainer		
68	872076	2	• Washer		
69	956083	2	• Cross recessed screw		
70	967949	1	• Flange screw		
71	872529	1	• Cardboard tube		
72	955983	2	• O-ring		Included in gasket kit.
73	183801	1	• Ball		
74	872586	1	• Spring		
75	184796	1	• Needle roller		
76	977913	X	• Shim		TH=0.10mm
	977914	X	• Shim		TH=0.15mm
	977915	X	• Shim		TH=0.35mm
77	977910	X	• Shim		TH=0.10mm
	977911	X	• Shim		TH=0.15mm
	977912	X	• Shim		TH=0.35mm
78	978912	X	• Shim		TH=0,30mm
	(977909)	X	• Shim		Obsolete part, TH=0.35mm
	978913	X	• Shim		TH=0,40mm
	978914	X	• Shim		TH=0,45mm
	978915	X	• Shim		TH=0,50mm
	978916	X	• Shim		TH=0,55mm
79	978917	X	• Shim		TH=0,50mm
80	422413	11	• Sealing ring		Included in gasket kit.
81	925263	3	• O-ring		Included in gasket kit.
82	925260	1	• O-ring		Included in gasket kit.
83	948866	1	• O-ring		Included in gasket kit.
84	949659	1	• O-ring		Included in gasket kit.
85	947760	28	• Flange screw		
86		1	• Sign		
87	950885	2	• Drive screw		
88		1	• Lifting eye		
89	872605	1	• Bracket		
90	840274	1	• Nipple		
91	834337	1	• Oil filter		
			• Bulletin P-18-3-8	P-18-3-8-EN	Return/Scrap of Oil Filter
92	872626	1	• Oil cooler		
93	872637	1	• Hose		
94	872638	1	• Hose		
95	192639	2	• Nipple		
96	947624	4	• Gasket		Included in gasket kit.
97	872615	1	• Bracket		
98	961674	2	• Hose clamp		
99	3858156	1	• Dipstick		
100	872608	2	• Hub		
101	872611	2	• Cylinder		
102	978906	1	• Support washer		
103	977917	3	• Plug		
104	947620	3	• Gasket		Included in gasket kit.
105	872577	1	• Oil strainer		
106	1381498	2	• Plug		
107	876588	1	Gasket kit		See group 99
	876591	1	Disc kit		Replaced by 3885079, See group 99
	3885079	1	Disc kit		See group 99
	876589	1	Piston kit		See group 99