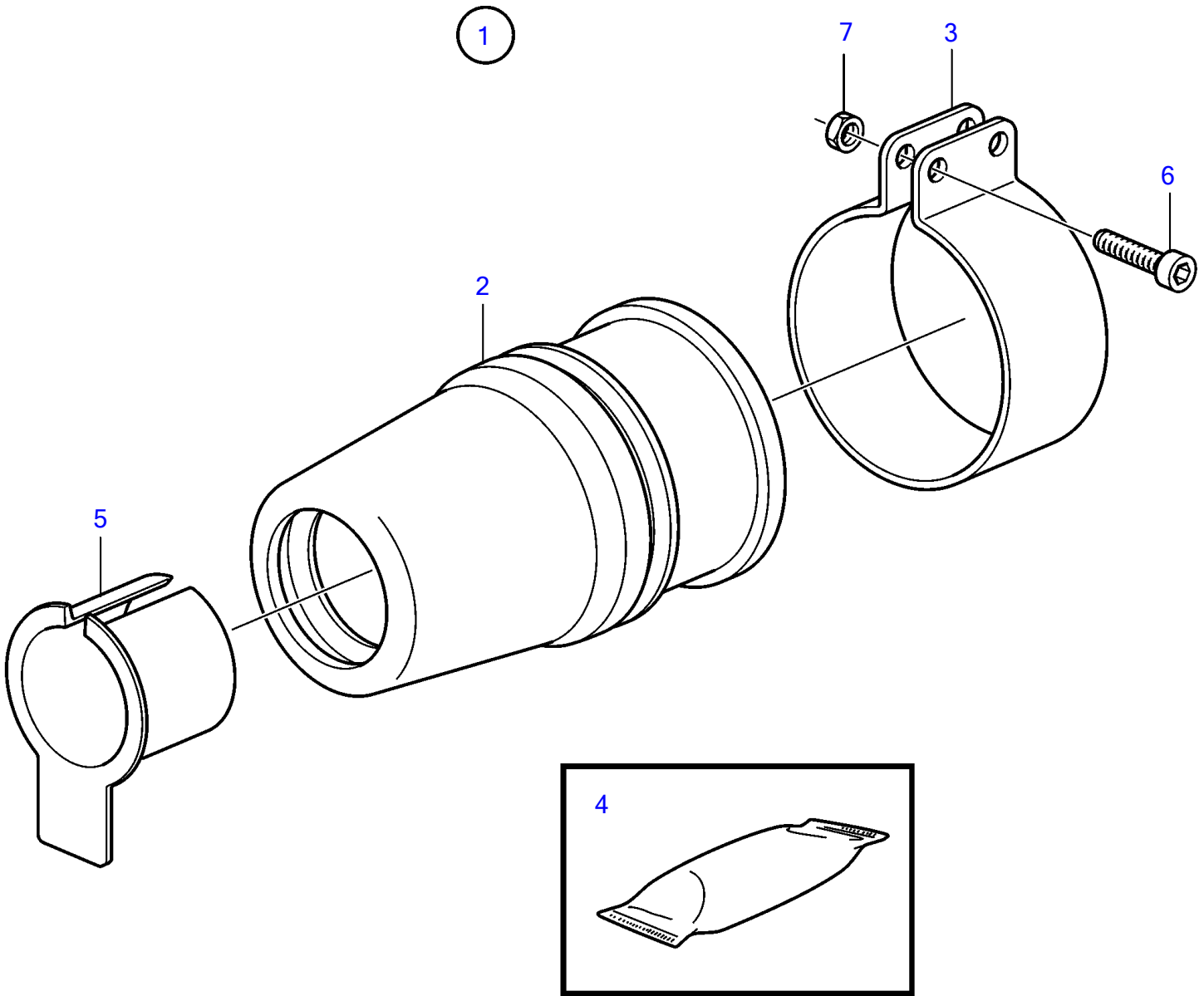


KAD42P-A, KAMD42P-A



6147

KAD42P-A, KAMD42P-A

| REF | PART NO. | QTY | DESCRIPTION | SEE SEC. | NOTES |
|-----|----------|-----|---|-------------|---------------------------------------|
| 1 | 828527 | 1 | Sealing Bulletin P-44-6-1 | P-44-6-1-EN | Rubber Stuffing Box |
| 2 | | 1 | • Sealing strip | | |
| 3 | 828528 | 1 | • Clamp | | |
| 4 | 828250 | 1 | • Lubricating grease Bulletin P-18-4-6 | P-18-4-6-EN | Water resistant grease for grease gun |
| 5 | | 1 | • Sleeve | | |
| 6 | 963684 | 2 | • Hex. socket screw | | |
| 7 | 966170 | 2 | • Lock nut | | |