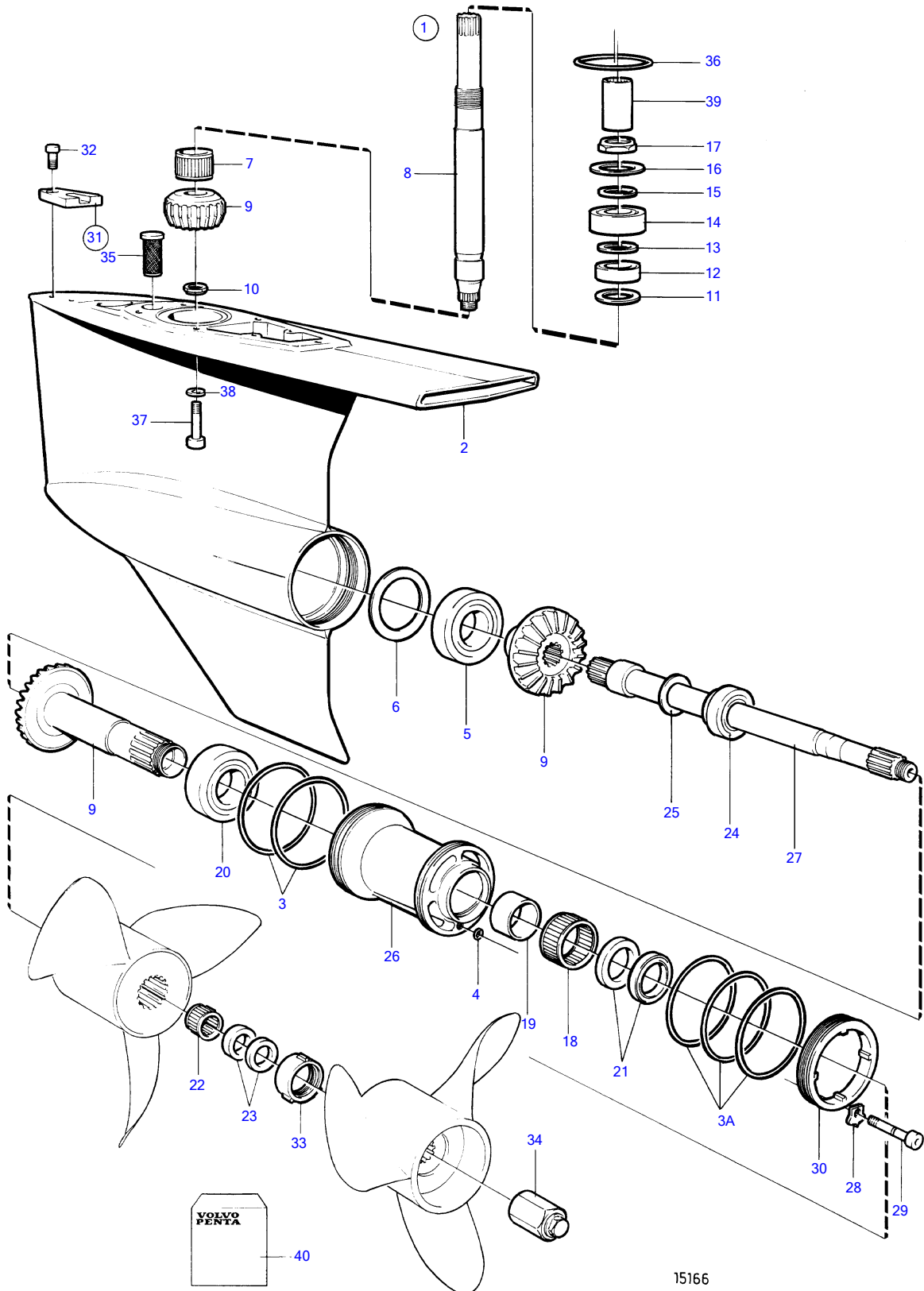


DPX



15166

DPX

REF	PART NO.	QTY	DESCRIPTION	NOTES
1	(872133)	1	Gear	Ratio 1.59:1, Obsolete part
2	872134	1	• Gear housing	
3	873232	2	• O-ring	Included in gasket kit.
3A	946438	3	• O-ring	Included in gasket kit.
4	955981	1	• O-ring	Included in gasket kit.
5	11044	1	• Roller bearing	
6	967352	X	• Shim	TH=0.05mm
	941823	X	• Shim	TH=0.10mm
	967351	X	• Shim	TH=0.15mm
	941824	X	• Shim	TH=0.20mm
	941825	X	• Shim	TH=0.40mm
7	184654	1	• Needle roller bushin	
8	872293	1	• Countershaft	
9	(872398)	1	• Gear	Ratio 1.59:1, Obsolete part
10	852212	1	• Nut	Included in gasket kit.
11	941832	X	• Shim	TH=0.05mm
	941833	X	• Shim	TH=0.20mm
12	183374	1	• Ball bearing	
13	944970	1	• Shim	TH=1,6mm
14	11072	1	• Roller bearing	
15	897387	1	• Tensioning ring	
16	944522	X	• Shim	TH=0.05mm
	42981	X	• Shim	TH=0.10mm
	968057	X	• Shim	TH=0.20mm
	42980	X	• Shim	TH=0.35mm
17	969071	1	• Round nut	Included in gasket kit.
18	183859	1	• Needle roller bushin	
19	184683	1	• Inner ring	
20	184765	1	• Roller bearing	
21	851407	2	• Sealing ring	Included in gasket kit.
22	183272	1	• Needle roller bushin	
23	853871	1	• Sealing ring	Included in gasket kit.
24	184691	1	• Roller bearing	
25	191834	X	• Shim	TH=0.10mm
	191835	X	• Shim	TH=0.15mm
	191837	X	• Shim	TH=0.25mm
26	872136	1	• Bearing housing	
27	872393	1	• Propeller shaft	
28	872403	1	• Washer	Included in gasket kit.
29	872174	1	• Lock screw	
30	872172	1	• Thrust ring	
31	876638	1	• Zinc electrode	
32	963684	2	• • Hex. socket screw	
33	3851335	1	• Propeller nut	Front, (872760)
34	872179	1	• Propeller nut	Rear
35	814482	1	• Oil strainer	
36	925256	1	O-ring	Included in gasket kit., Included in complete drive.
37	959457	4	Hex. socket screw	Included in complete drive.
38	853095	4	Washer	Included in complete drive.
39	3852268	1	Splined sleeve	Included in complete drive., (854553)
40		1	Gasket kit	