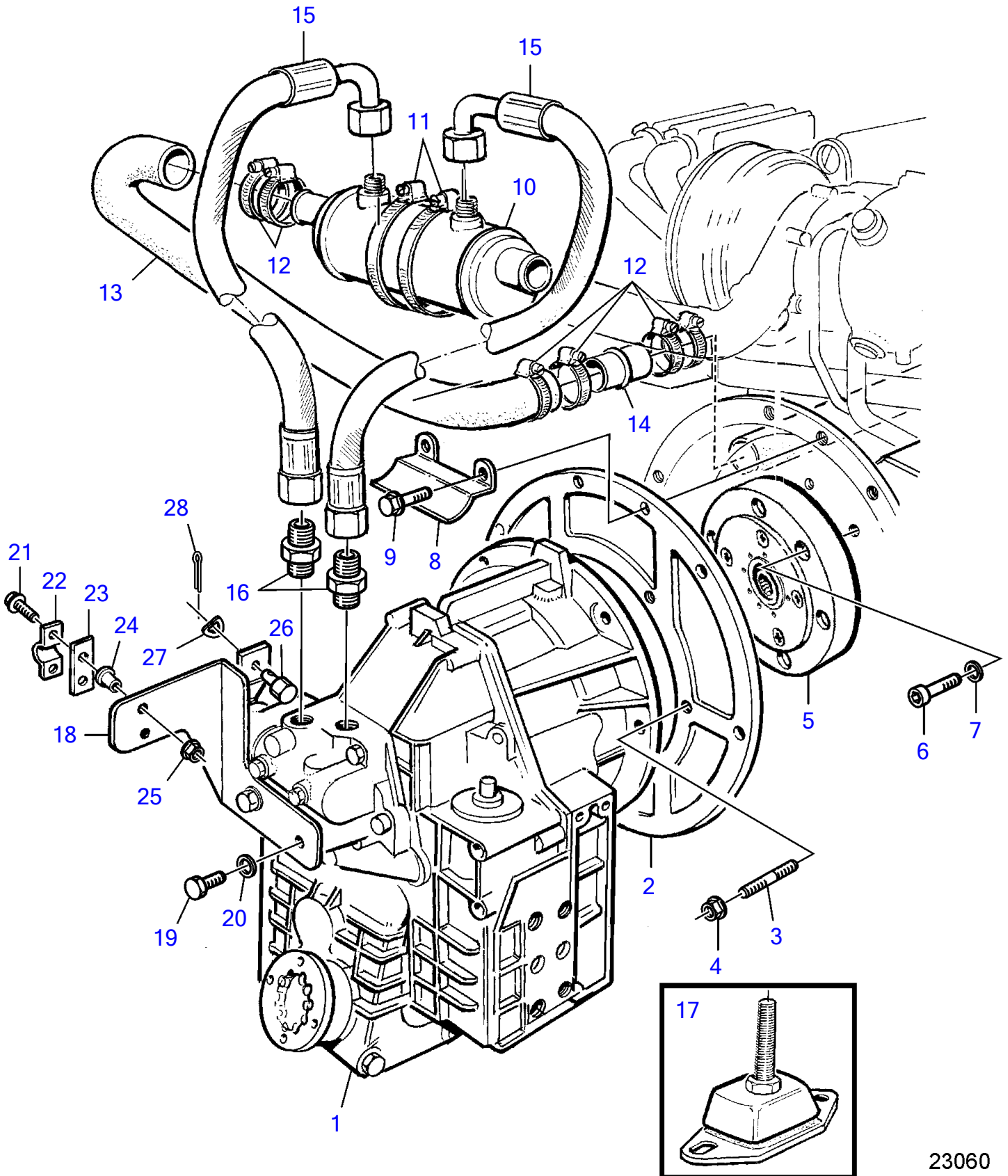


KAMD42P-A



23060

KAMD42P-A

REF	PART NO.	QTY	DESCRIPTION	NOTES
1		1	Reversing gear	
2	829489	1	Cardboard tube	
3	924075	6	Stud	
4	971095	6	Flange nut	
5	3582751	1	Oscillation damper	(3857442)
6	959227	6	Hex. socket screw	
7	941907	6	Spring washer	
8	859592	1	Bracket	
9	946752	11	Flange screw	
10	872626	1	Oil cooler	
11	943481	2	Hose clamp	
12	961669	6	Hose clamp	
13	3581335	1	Hose	
14	861090	1	Tube	
15	3581387	2	Hydraulic hose	
16	856793	2	Nipple	
17		4	Engine suspension	See group 21
18	3581336	1	Bracket	
19	940133	2	Hexagon screw	
20	976945	2	Washer	
21	956081	2	Cross recessed screw	
22	21471054	1	Bracket	
23	819068	1	Washer	
24	843108	2	Bushing	
25	949874	2	Flange lock nut	(946577)
26	3852329	1	Cube	(804312)
27	941906	1	Spring washer	
28	17276	1	Split pin	