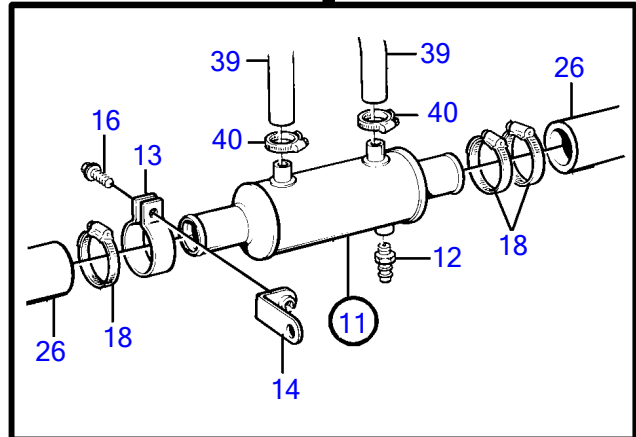
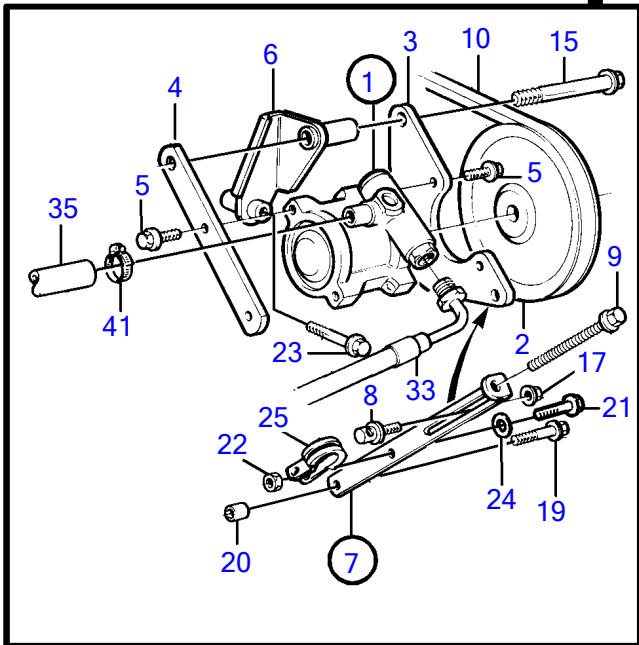
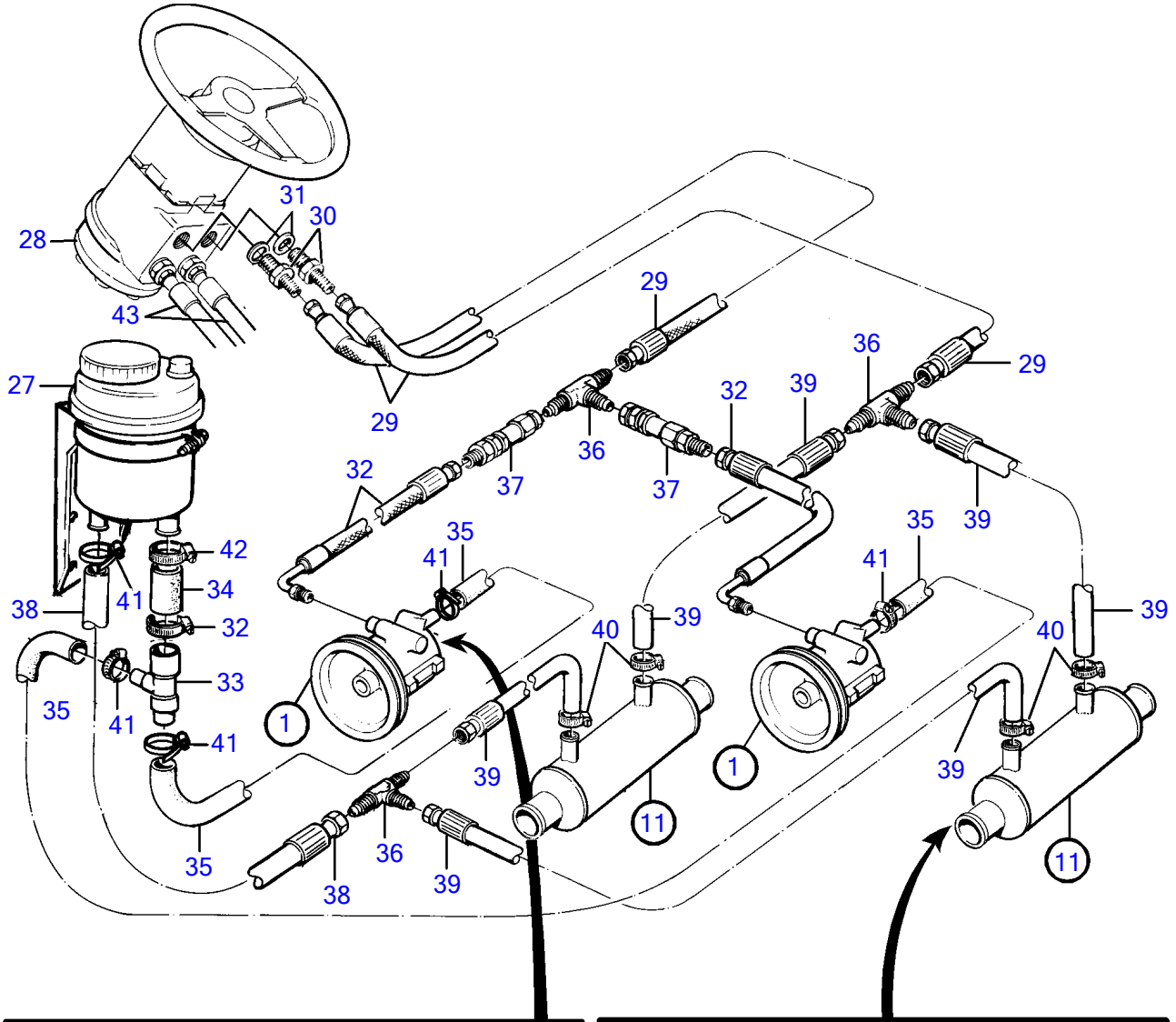


DPX



DPX

REF	PART NO.	QTY	DESCRIPTION	SEE SEC.	NOTES
1	1359649	2	Power steering pump • parts not sold separately		
2	1378156	2	Pulley		
3	860682	2	Bracket		
4	860683	2	Bracket		
5	946440	10	Flange screw		
6	861659	2	Bracket		(860681)
7	861664	2	Tensioning arm		(860693)
8	1336961	2	• Screw		For 1336962
	861666	2	• Flange screw		For 977820
9	1336962	2	• Adjusting screw		M6, early type
	977820	2	• Hexagon screw		M8, late type
10	973487	2	V-belt		
11	858541	2	Oil cooler		
12	949918	2	• Shut-off cock		
13	860700	2	Clamp		Early type
14	860701	2	Bracket		Early type
15	947790	2	Flange screw		
16	946671	2	Flange screw		Early type
17	945408	2	Flange nut		
18	961669	6	Hose clamp		
19	965182	2	Flange screw		
20	191172	2	Washer		
21	946544	2	Flange screw		
22	949278	2	Flange lock nut		
23	946473	2	Flange screw		
24	955893	2	Washer		
25	952640	2	Clamp		
26	860689	2	Cooling hose		Sea water pump-oil cooler., Intake-oil cooler
27	872137	1	Tank		
28		1	Control unit	640	
29	872158	2	Pressure hose		L=6.0m
30	873340	2	Adapter		
31	873341	2	Washer		
32	872159	2	Pressure hose		L=1.5m
33	872168	1	T-nipple		
34	3851508	1	Suction hose		L=1.5m
35	3851509	1	Suction hose		To be cut to suitable length., L=2,0m
36	873334	3	Adapter		
37	873351	2	Check valve		
38	872973	1	Return hose		L=3.0m
39	872160	4	Return hose		L=2,0m
40	961663	4	Hose clamp		
41	961665	4	Hose clamp		
42	961666	1	Hose clamp		
43	872158	2	Pressure hose	640	