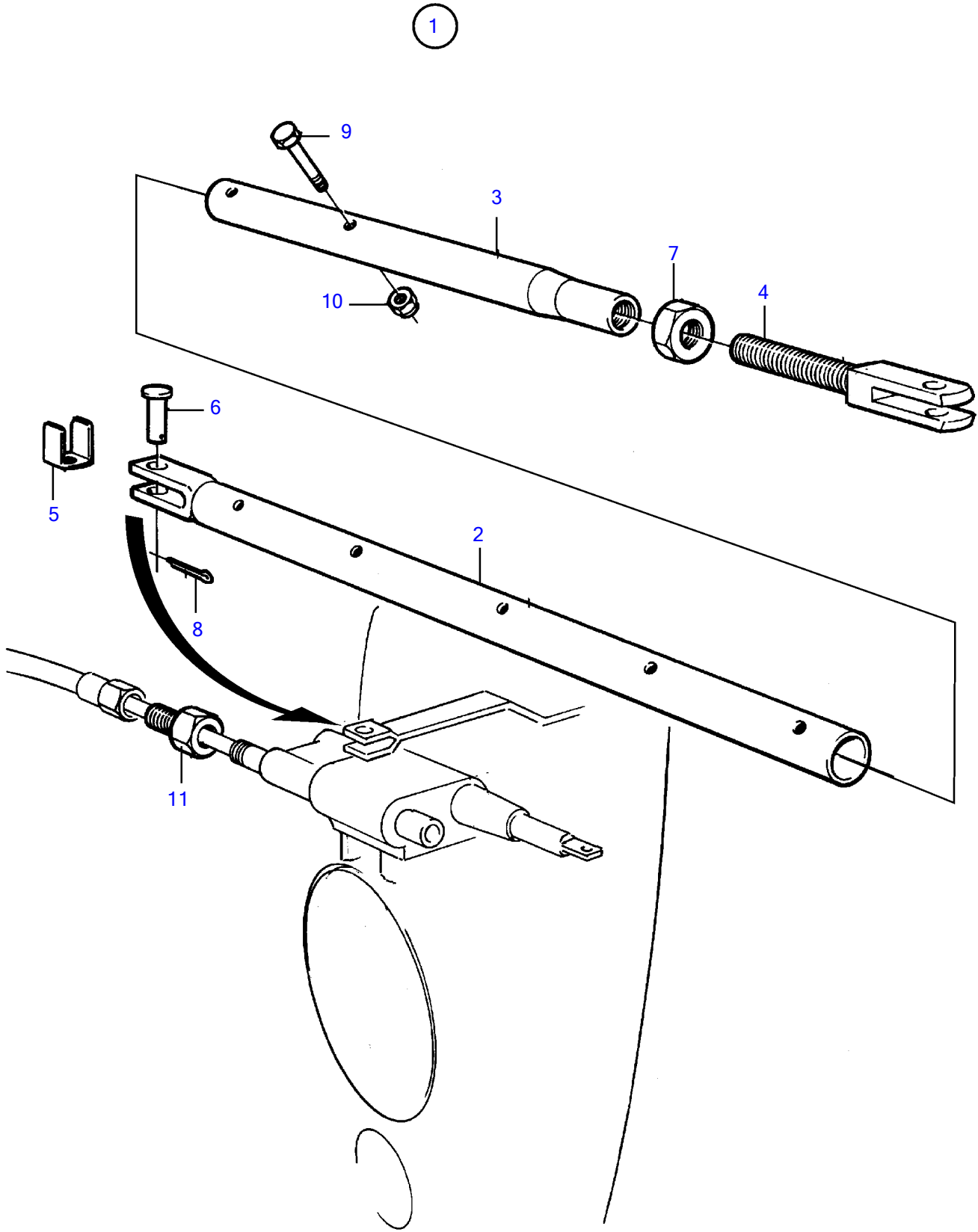


DP-E, DP-G



DP-E, DP-G

REF	PART NO.	QTY	DESCRIPTION	NOTES
1	1140610	1	Link rod kit	L=610-970mm
2	828892	1	• Tube	
3	828893	1	• Tube	
4	828894	1	• Adjusting bar	
5	853160	2	• Lock washer	
6	913158	2	• Clevis pin	
7	955806	1	• Hexagon nut	
8	967707	2	• Split pin	
9	970951	2	• Hexagon screw	
10	971089	2	• Lock nut	
11	1140020	1	Impulse limiter	For twin installation.