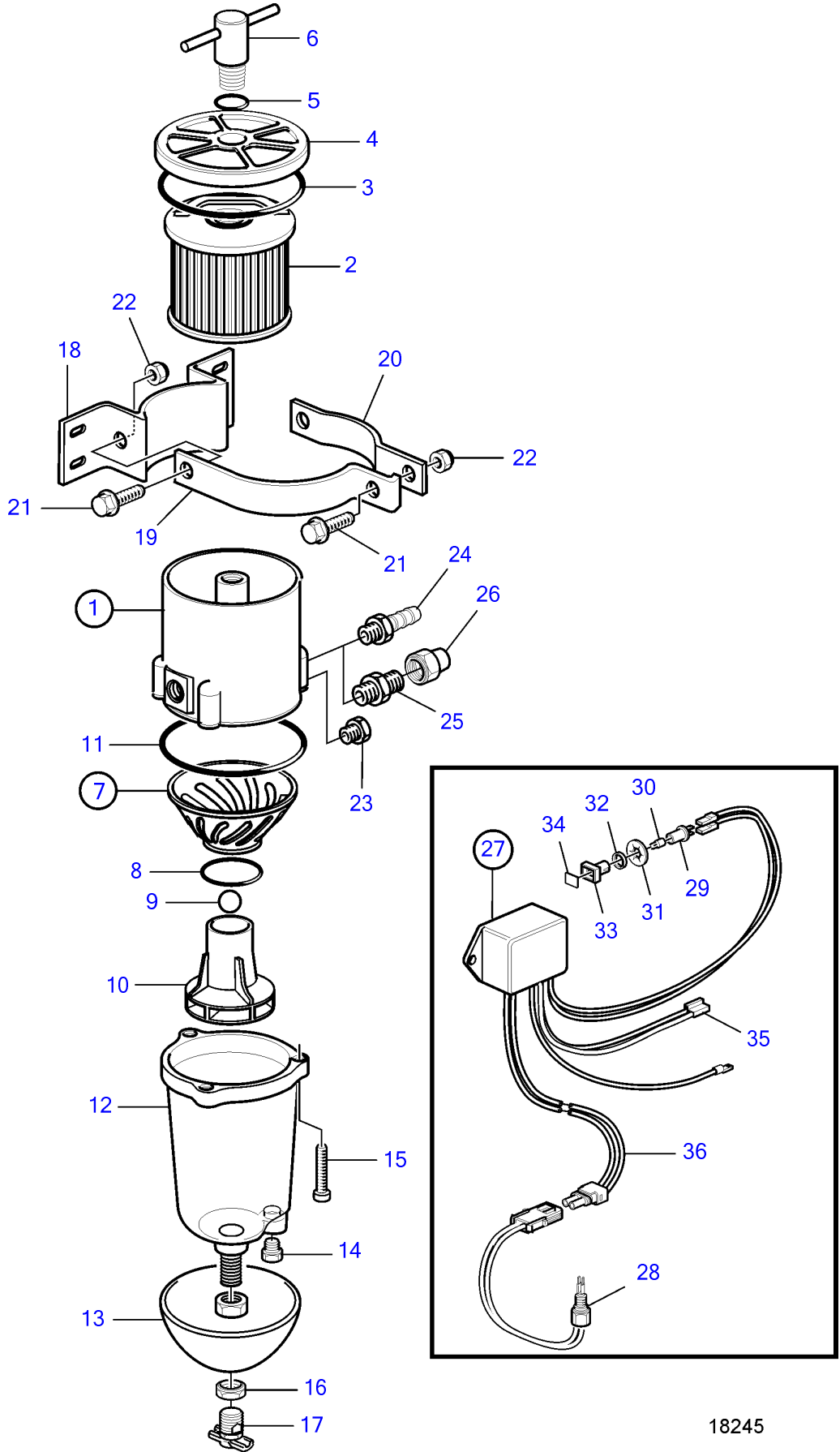


KAD42P-A, KAMD42P-A



18245

KAD42P-A, KAMD42P-A

REF	PART NO.	QTY	DESCRIPTION	SEE SEC.	NOTES
1	3582350	1	Fuel filter		Repl by 877763
			• Bulletin 50-11A	50-11A-EN	Fuel Filters / Water Separators
1	877763	1	Fuel filter		
			•	37059	
2	861014	1	• Insert		
3	838504	1	• Gasket		
4		1	• Lock		
5	838505	1	• O-ring		
6		1	• Handle		
7	861455	1	• O-ring		
8		1	• • O-ring		
9		1	• • Ball		
10		1	• • Insert		
11	3838861	1	• • Gasket		(838502)
12	3838849	1	Bowl		
13		1	• Heat shield		
14		1	• Plug		
15	950024	4	• Cross recessed screw		
16	861459	2	• Nut		
17	(861458)	1	• Faucet		Obsolete part
18		1	• Bracket		
19		1	• Clamp		
20		1	• Clamp		
21		3	• Screw		
22		3	• Nut		
23		1	• Plug		
24	3825000	X	Hose nipple		(834781)
25	954337	X	Nipple		
26	954323	X	Fitting nut		
27	1140724	1	Level guard		(1140609)
28	3588916	1	• Alarm kit		
29	808175	1	• Lamp socket		
30	19923	1	• Bulb		12V, 2W
	182059	1	• Bulb		24V, 3W
31	967583	1	• Retainer		
32	829714	1	• Sealing ring		
33	838455	1	• Retainer		
34	872591	1	• Symbol strip		
35		X	• cables and terminals	1963	
36	881774	1	Wiring harness		