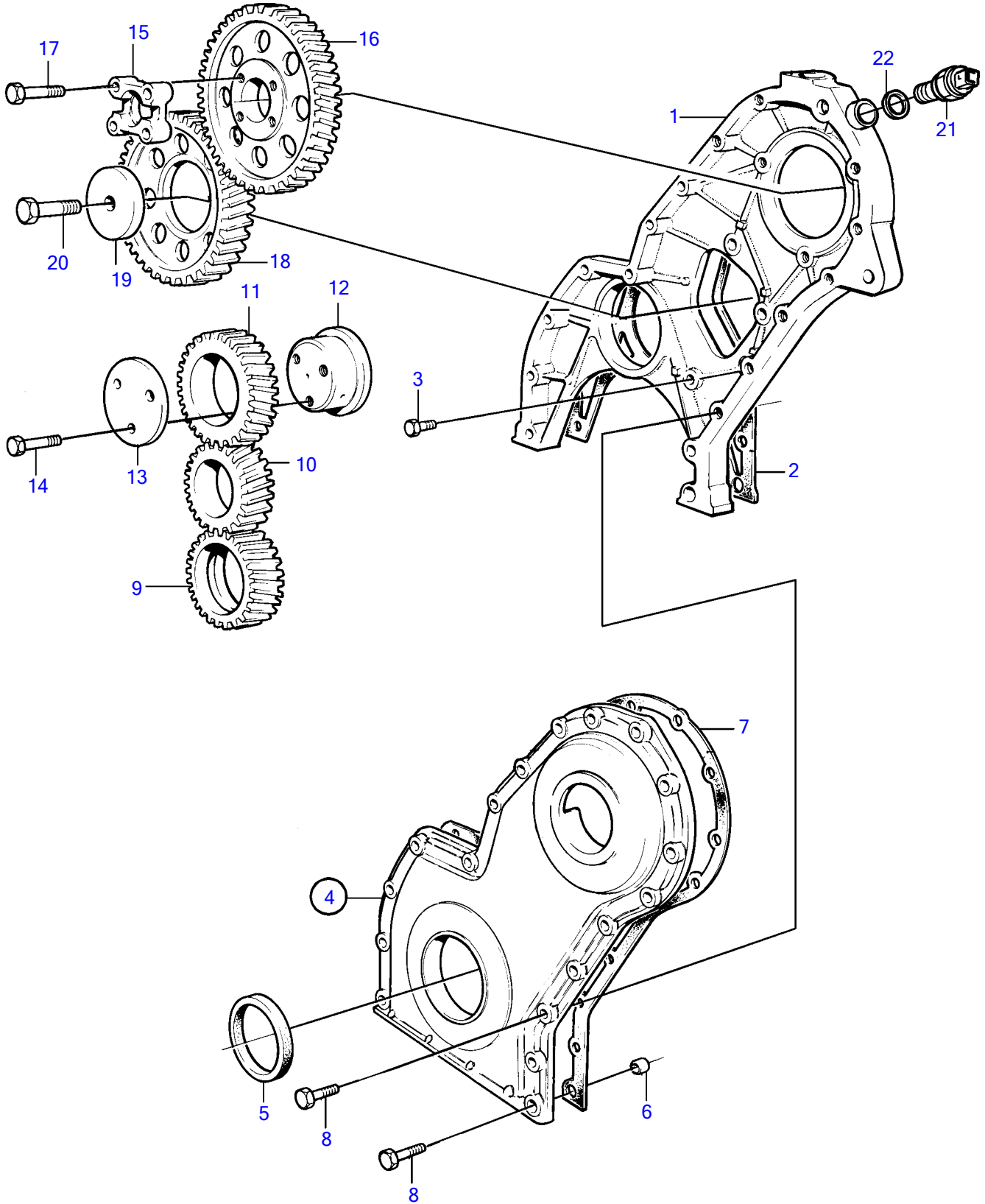


KAD42P-A, KAMD42P-A



KAD42P-A, KAMD42P-A

REF	PART NO.	QTY	DESCRIPTION	NOTES
1	860664	1	Timing gear casing	Repl by 3581447
	3581447	1	Timing gear casing	
2	859039	1	Gasket	
3	946173	3	Flange screw	L=20mm
	946671	1	Flange screw	L=30mm
4	843086	1	Cover	Replaced by 842991
	842991	1	• Cover	
5	1542318	1	• Sealing ring	
6	415311	2	• Guide sleeve	
7	859038	1	Gasket	
8	946470	5	Flange screw	L=35mm
	947760	2	Flange screw	L=40mm
	948217	1	Flange screw	L=45mm
	973924	1	Flange screw	L=50mm
	965180	1	Flange screw	L=60mm
	965181	6	Flange screw	L=70mm
	969189	2	Flange screw	L=80mm
9	1542215	1	Oil pump wheel, oil pump	
10	1542305	1	Gear, crankshaft	
11	1542061	1	Gear	
12	838997	1	Bearing spindle	
13	1542065	1	Thrust washer	
14	965180	3	Flange screw	
15	829523	1	Companion flange	
16	3581531	1	Gear, fuel inj. pump	(838657)
17	947760	4	Flange screw	
18	1542034	1	Gear, camshaft	
19	1542223	1	Washer	
20	965193	1	Flange screw	
21	862251	1	Tachometer sensor	For revolution relay.
22	957181	1	Gasket	

7734180-21-1917

16914

Upd:2012-01-30

KAD42P-A, KAMD42P-A, DPX, HS1A, DP-D1, DP-E, DP-G

VOLVO
PENTA