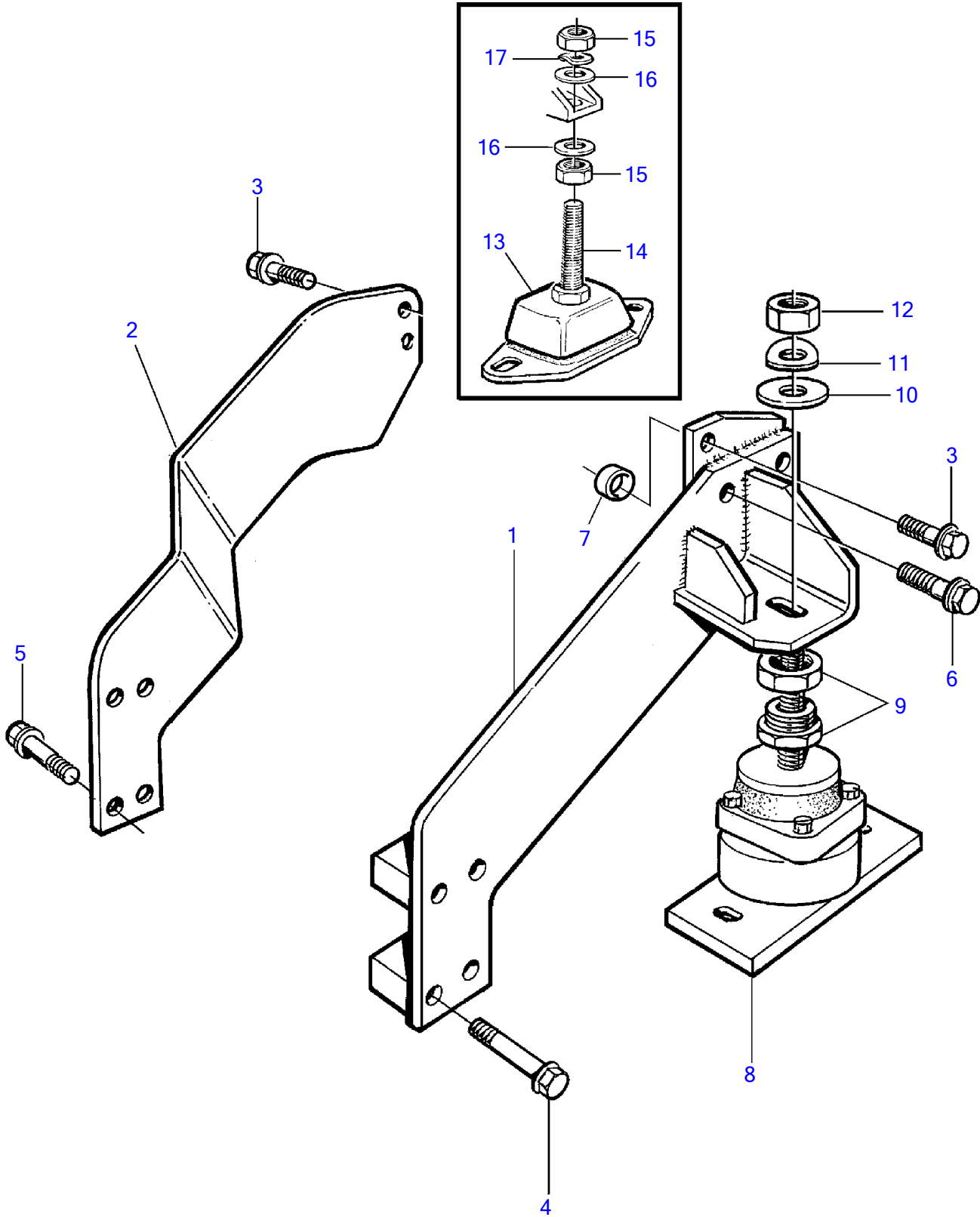


KAMD42P-A



KAMD42P-A

REF	PART NO.	QTY	DESCRIPTION	NOTES
1	3581381	1	Bracket	S.B
2	3581382	1	Bracket	P
3	965191	4	Flange screw	
4	965194	4	Flange screw	
5	965191	4	Flange screw	
6	965192	2	Flange screw	
7	843122	3	Spacer sleeve	
8	3581614	2	Rubber cushion	
9	3826709	2	Adjusting sleeve	
10	955900	2	Washer	
11	941912	2	Spring washer	
12	955805	2	Hexagon nut	
13	858161	2	Rubber element	
14	860950	2	Adjusting screw	
15	955806	4	Hexagon nut	
16	955901	2	Washer	D=34mm
	978991	4	Washer	D=40mm
17	941913	2	Spring washer	