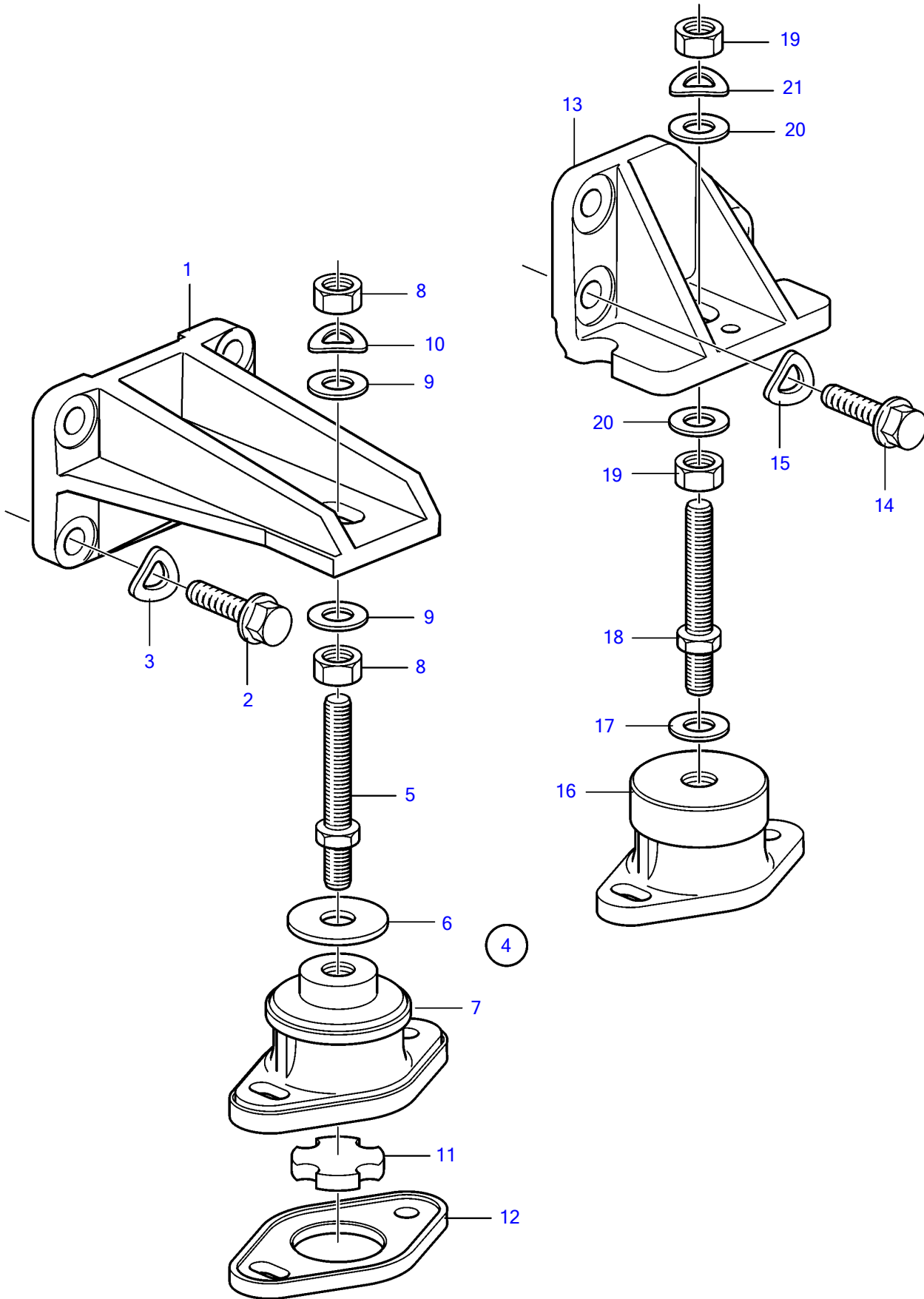


KAD42P-A



KAD42P-A

REF	PART NO.	QTY	DESCRIPTION	NOTES
1	3580748	2	Engine bracket	
2	965192	7	Flange screw	L=40mm
	965193	1	Flange screw	L=50mm
3	940280	8	Spring washer	
4	876596	2	Rubber element	Replaced by 1 ea rubber element 843323, 1 ea adjusting screw 860950 and 1 ea washer 843298.
5	860950	2	Adjusting screw	
6	843298	2	Washer	
7	843323	2	Rubber element	
8	955806	4	Hexagon nut	
9	955901	2	Washer	D=34mm
	978991	2	Washer	D=40mm
10	941913	2	Spring washer	
11	843299	2	Rubber disc	
12	843286	2	Pad	
13	860952	1	Engine bracket	P
	860954	1	Engine bracket	S.B
14	965225	4	Flange screw	
	965226	2	Flange screw	
15	940280	4	Spring washer	
	955897	2	Washer	
16	876597	2	Rubber element	
17	955900	2	• Washer	
18	860950	2	• Adjusting screw	
19	955806	4	Hexagon nut	
20	955901	2	Washer	D=34mm
	978991	2	Washer	D=40mm
21	941913	2	Spring washer	