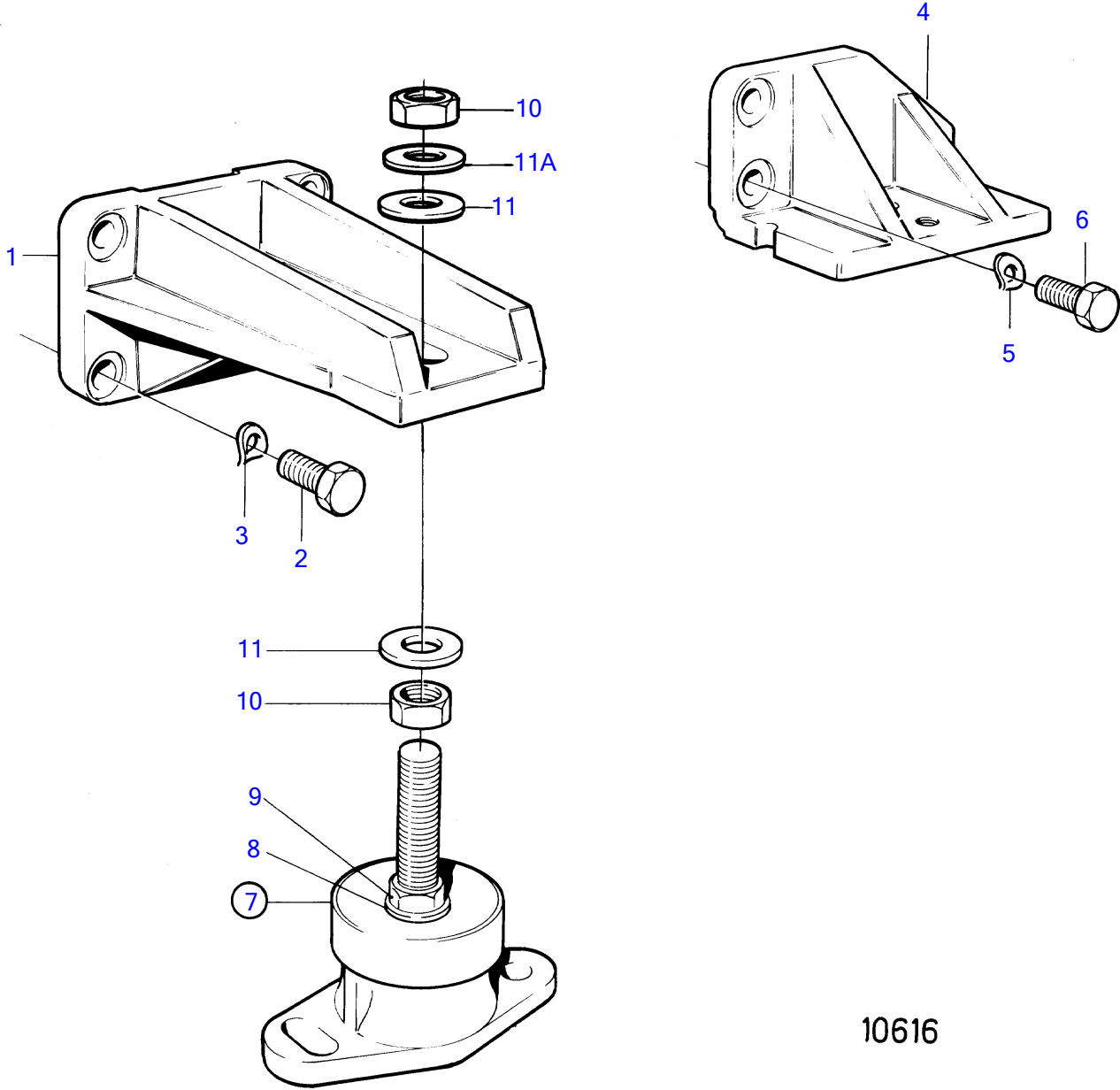


KAMD42P-A



KAMD42P-A

REF	PART NO.	QTY	DESCRIPTION	NOTES
1	3580748	2	Engine bracket	Front
2	965192	7	Flange screw	L=40mm
	965193	1	Flange screw	L=50mm
3	940280	8	Spring washer	
4	860952	1	Engine bracket	P, rear
	860954	1	Engine bracket	S.B, rear
5	940280	6	Spring washer	
6	965225	4	Flange screw	L=35mm
	965226	2	Flange screw	L=45mm
7	861302	4	Rubber cushion	Replaced by 1 ea rubber cushion 856834, 1 ea washer 955900 and 1 ea adjusting screw 860950.
8	955900	4	• Washer	
9	860950	4	• Adjusting screw	
10	955806	8	Hexagon nut	
11	955901	4	Washer	D=34mm
	978991	4	Washer	D=40mm
11A	941913	4	Spring washer	