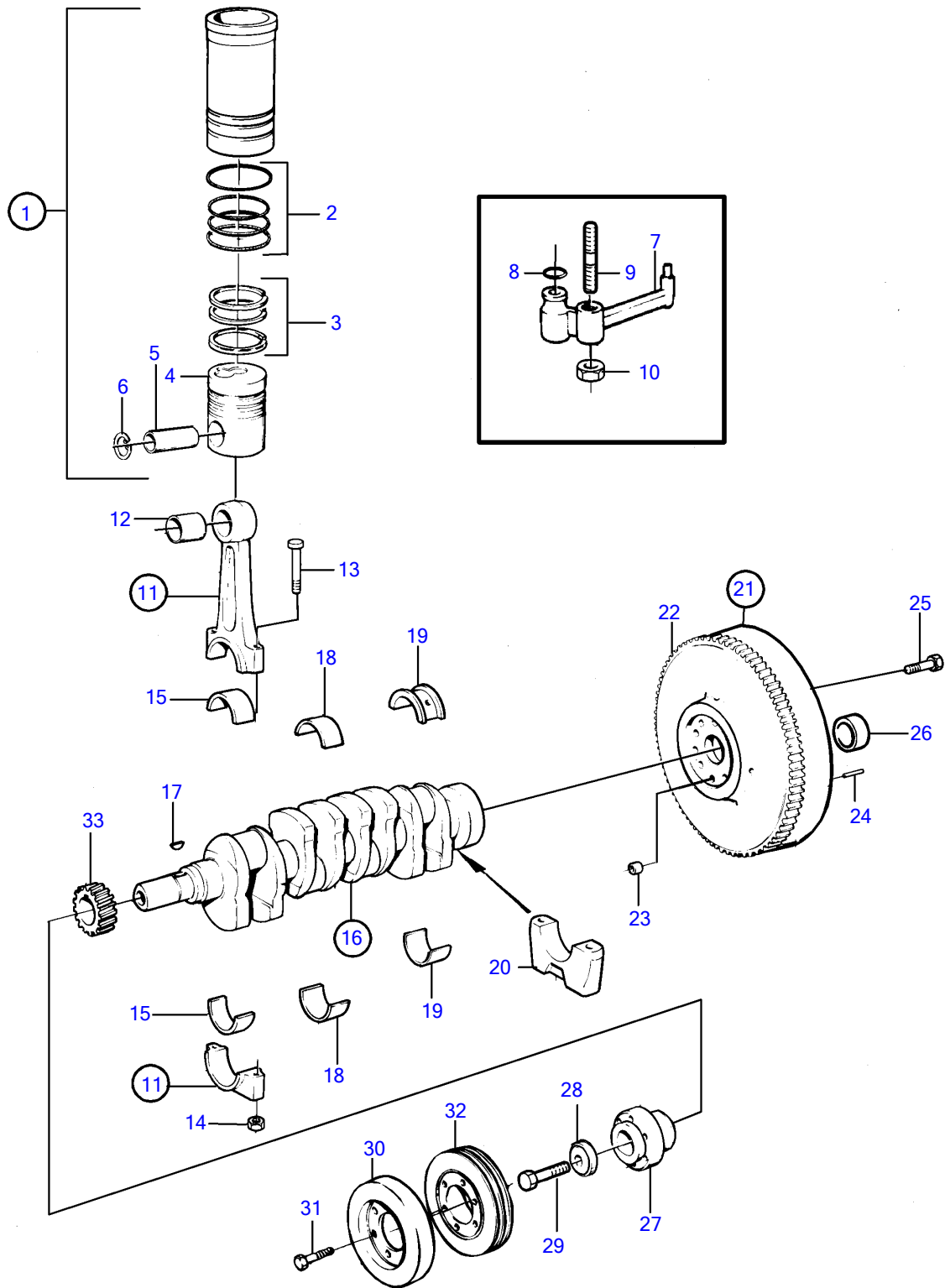


KAMD42P-A



16961

## KAMD42P-A

REF	PART NO.	QTY	DESCRIPTION	SEE SEC.	NOTES
1	3581714	6	Cylinder liner kit		(876851)
2	275751	6	• Sealing ring kit		
3	876528	6	• Piston ring kit		
4		6	• Piston		
5	422793	6	• Piston pin		
6	914519	12	• Snap ring		
7	1542320	6	• Oil jet		
8	955981	6	O-ring		
9	1542380	6	Stud		
10	946035	6	Lock nut		
11	3581063	6	Connecting rod		(860381)
12		6	• Bushing		
13	1542077	12	• Connecting rod bolt		
14	1542078	12	• Nut		
15	876511	6	Big-end bearing kit		Std
	876512	6	Big-end bearing kit		U.S=0,25mm
	876513	6	Big-end bearing kit		U.S=0,50mm
	876514	6	Big-end bearing kit		U.S=0,75mm
16	860379	1	Crankshaft		
17	910118	1	• Woodruff key		
18	876515	6	Main bearing kit		Std
	876516	6	Main bearing kit		U.S=0,25mm
	876517	6	Main bearing kit		U.S=0,50mm
	876518	6	Main bearing kit		U.S=0,75mm
19	876519	1	Thrust bearing		Std
	876520	1	Thrust bearing		O.S=0,10mm/U.S=0,25mm
	876521	1	Thrust bearing		O.S=0,20mm/U.S=0,50mm
	876522	1	Thrust bearing		O.S=0,20mm/U.S=0,75mm
20		7	Main bearing cap	1915	
21	861163	1	Flywheel		HS1A
22	829462	1	• Ring gear		
23	415311	1	• Guide sleeve		
24	191873	3	• Locating pin		
25	861671	1	Repair kit		The kit includes 8 pcs screw., Shall not be used together with bolt plate 1542093.
27	1542196	1	Hub		
28	420124	1	Washer		
29	470366	1	Flange screw		(1542149)
30	860944	1	Vibration damper		
31	965179	6	Flange screw		
32	861540	1	Pulley		
33	1542305	1	Gear		