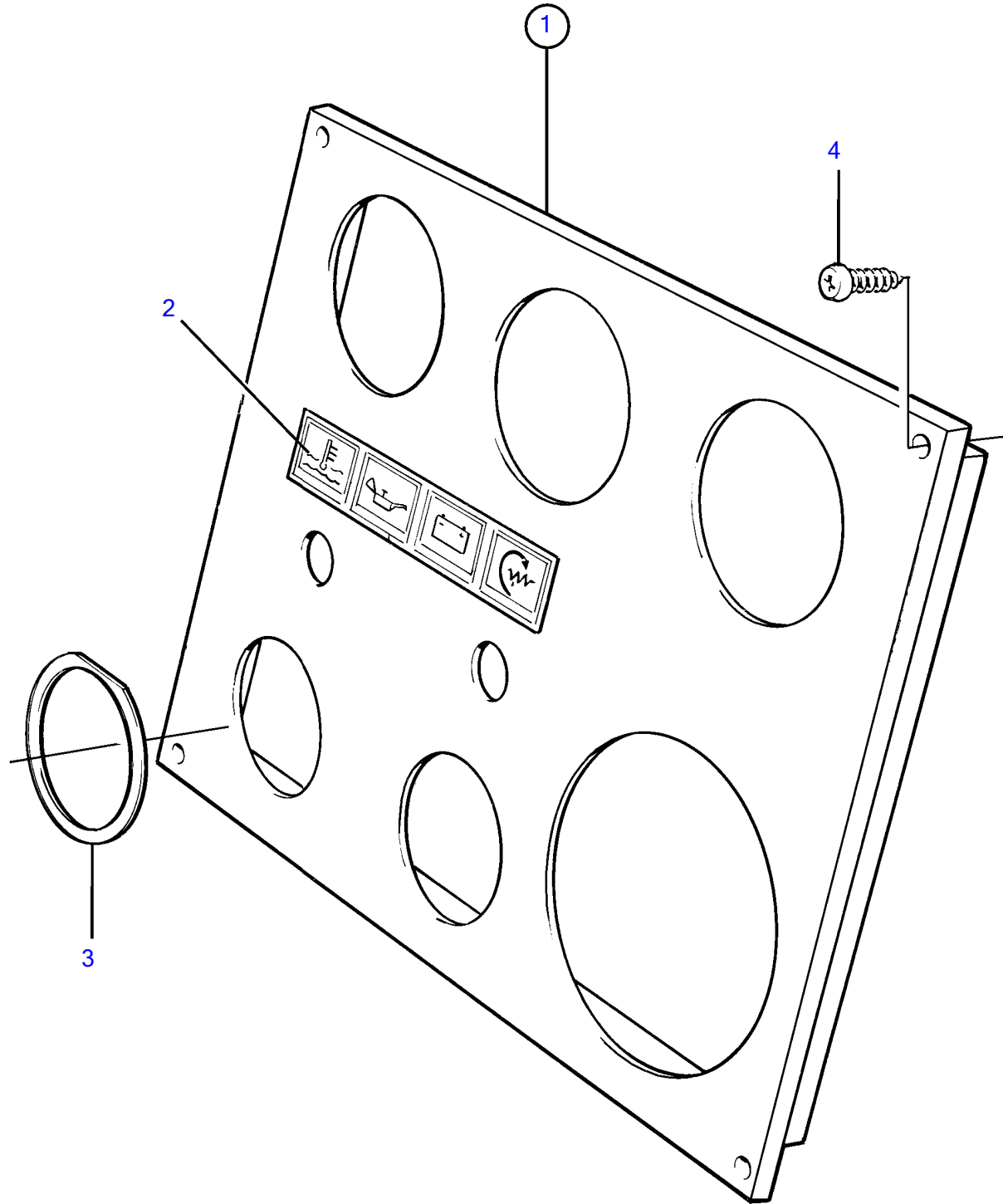


KAD42P-A, KAMD42P-A



KAD42P-A, KAMD42P-A

REF	PART NO.	QTY	DESCRIPTION
1	860184	1	Instrument panel
2	858645	1	• Symbol strip
3		1	• Marking label, starter switch
4	828647	4	Screw