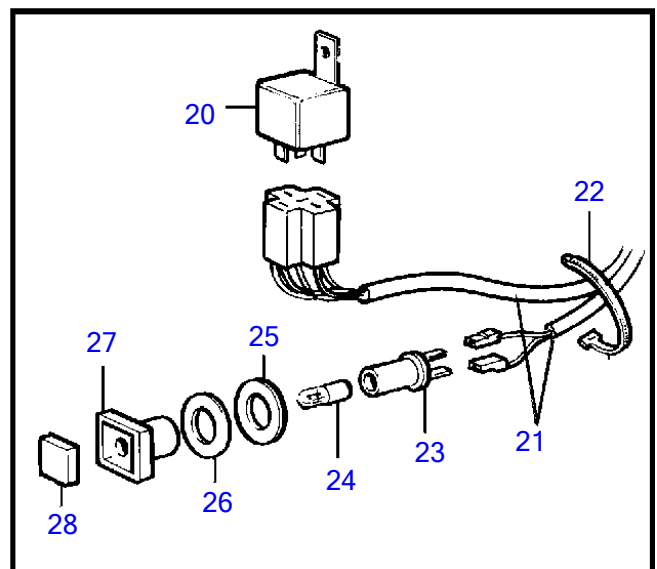
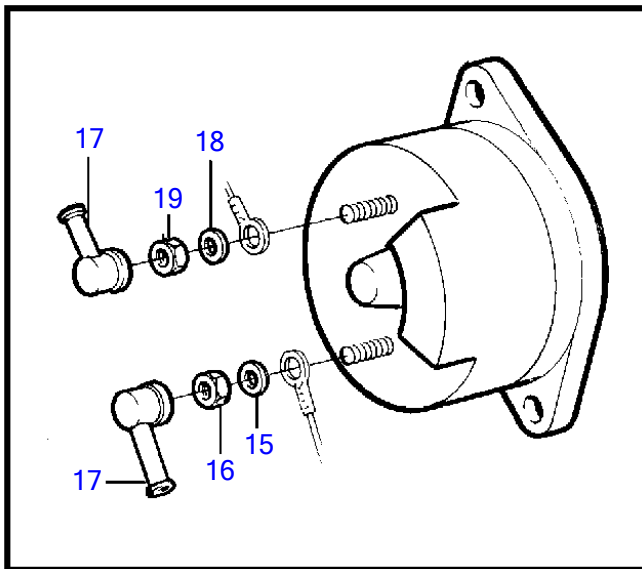
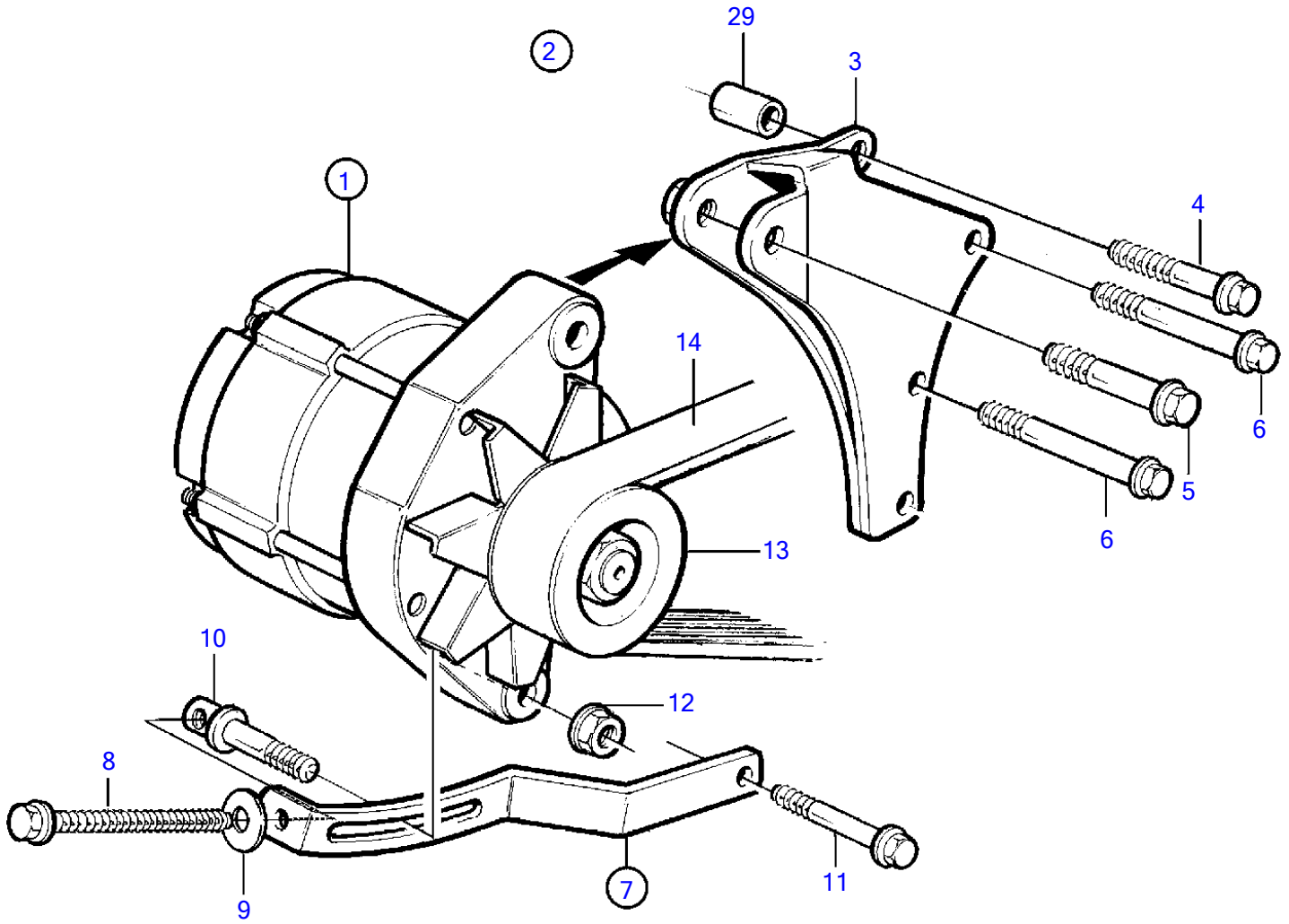


KAD42P-A, KAMD42P-A



17220

Upd:2012-01-30

17220

7734180-30-3339

## KAD42P-A, KAMD42P-A

| REF | PART NO. | QTY | DESCRIPTION                 | SEE SEC. | NOTES                                              |
|-----|----------|-----|-----------------------------|----------|----------------------------------------------------|
| 1   | 872235   | 1   | Alternator                  |          | Not included in kit., 14V 60A                      |
|     | 3803260  | 1   | Alternator, exch, exch      |          | Not included in kit., 14V 60A                      |
|     |          |     | .                           |          |                                                    |
|     |          |     | .                           | 448      |                                                    |
|     | 872927   | 1   | Alternator                  |          | Not included in kit., 28V 40A                      |
|     | 3803619  | 1   | Alternator, exch, exch      |          | Not included in kit., 28V 40A                      |
|     |          |     | • parts not sold separately |          |                                                    |
| 2   | 3581630  | 1   | Alternator kit              |          | For engines with a multi-v belt driven water pump. |
| 3   | 860271   | 1   | • Bracket                   |          |                                                    |
| 4   | 965179   | 1   | • Flange screw              |          | L=50mm                                             |
| 5   | 955554   | 1   | • Hexagon screw             |          | L=76mm                                             |
| 6   | 965182   | 2   | • Flange screw              |          | L=80mm                                             |
| 7   | 861667   | 1   | • Tensioning arm            |          |                                                    |
| 8   | 977820   | 1   | • • Hexagon screw           |          |                                                    |
| 9   | 955894   | 1   | • • Washer                  |          |                                                    |
| 10  | 861663   | 1   | • • Flange screw            |          |                                                    |
| 11  | 965183   | 1   | • Flange screw              |          |                                                    |
| 12  | 945408   | 1   | • Flange nut                |          |                                                    |
| 13  | 861544   | 1   | • Pulley                    |          |                                                    |
| 14  | 861566   | 1   | • Drive belt, multi-V       |          |                                                    |
| 15  | 941906   | 1   | • Spring washer             |          |                                                    |
| 16  | 945407   | 1   | • Flange nut                |          |                                                    |
| 17  | 842150   | 2   | • Protective cap            |          |                                                    |
| 18  | 941905   | 1   | • Spring washer             |          |                                                    |
| 19  | 965483   | 1   | • Flange nut                |          |                                                    |
| 20  | 872300   | 1   | • Relay                     |          | (853545) 12V 30A                                   |
| 21  | 838542   | 1   | • Cable trunk               |          |                                                    |
| 22  | 948211   | X   | • Cable tie                 |          |                                                    |
| 23  | 808175   | 1   | • Lamp socket               |          |                                                    |
| 24  | 19923    | 1   | • Bulb                      |          | 12V 2W                                             |
|     | 182059   | 1   | • Bulb                      |          | 28V 3W                                             |
| 25  | 967583   | 1   | • Retainer                  |          |                                                    |
| 26  | 829714   | 1   | • Sealing ring              |          |                                                    |
| 27  | 838455   | 1   | • Retainer                  |          |                                                    |
| 28  | 838457   | 1   | • Symbol strip              |          |                                                    |
| 29  | 843075   | 1   | Spacer sleeve               |          |                                                    |