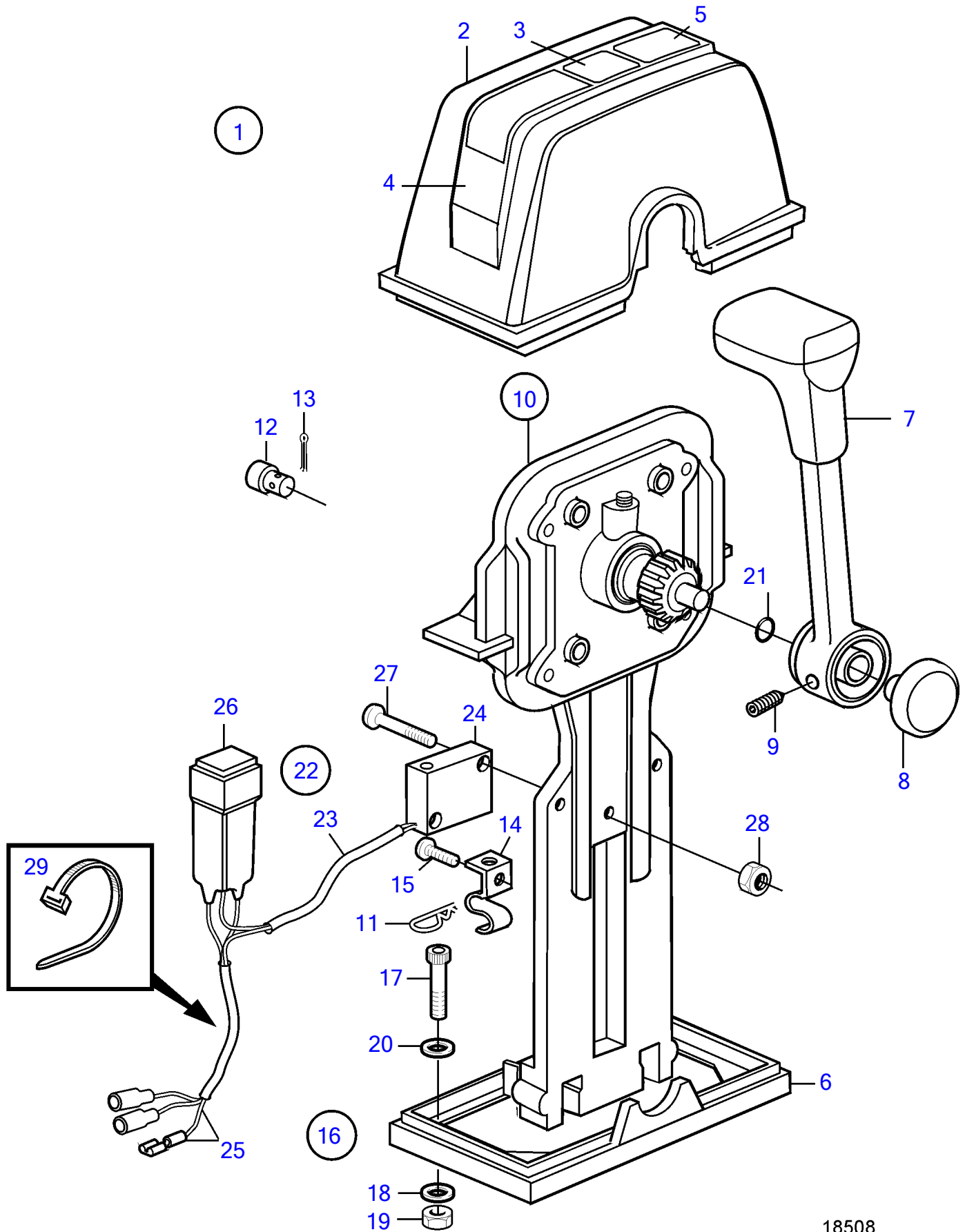


KAD42P-A, KAMD42P-A



KAD42P-A, KAMD42P-A

| REF | PART NO. | QTY | DESCRIPTION | SEE SEC. | NOTES |
|-----|----------|-----|--------------------------|----------|------------------------------|
| 1 | 853168 | 1 | Mounting kit | | For single installation. |
| 2 | 1140046 | 1 | • Cover | | |
| 3 | 851896 | 2 | • • Decal | | |
| 4 | (851892) | 1 | • • Crossbar | | Obsolete part |
| 5 | (851898) | 1 | • • Decal | | Obsolete part |
| 6 | 839474 | 1 | • • Plate | | |
| 7 | 852347 | 1 | Hand lever | | |
| | | | • | | |
| | | | • | 266 | |
| 8 | | 1 | • Push button | | Included in complete handle. |
| 9 | | 1 | • Screw | | Included in complete handle. |
| 10 | 851600 | 1 | Control | | |
| 11 | 853423 | 1 | • Retainer | | |
| 12 | 852924 | 1 | • Clip | | |
| 13 | 839664 | 1 | • Screw | | |
| 14 | 839638 | 1 | • Cube | | |
| 15 | 17253 | 1 | • Split pin | | |
| 16 | | 1 | Screw kit | | |
| 17 | 947671 | 4 | • Hex. socket screw | | |
| 18 | 960138 | 4 | • Washer | | |
| 19 | 955780 | 4 | • Hexagon nut | | |
| 20 | 940090 | 4 | • Washer | | |
| 21 | 925058 | 1 | • O-ring | | |
| 22 | 855352 | 1 | Neutral position con | | |
| 23 | (839619) | 1 | • Cable kit | | Obsolete part |
| 24 | 850200 | 1 | • • Toggle switch | | |
| 25 | | X | • • cables and terminals | 1963 | |
| 26 | 876037 | 1 | • Relay kit | | |
| 27 | 946177 | 2 | • Cross recessed screw | | |
| 28 | 947536 | 2 | • Hexagon nut | | |
| 29 | 948211 | X | • Cable tie | | |