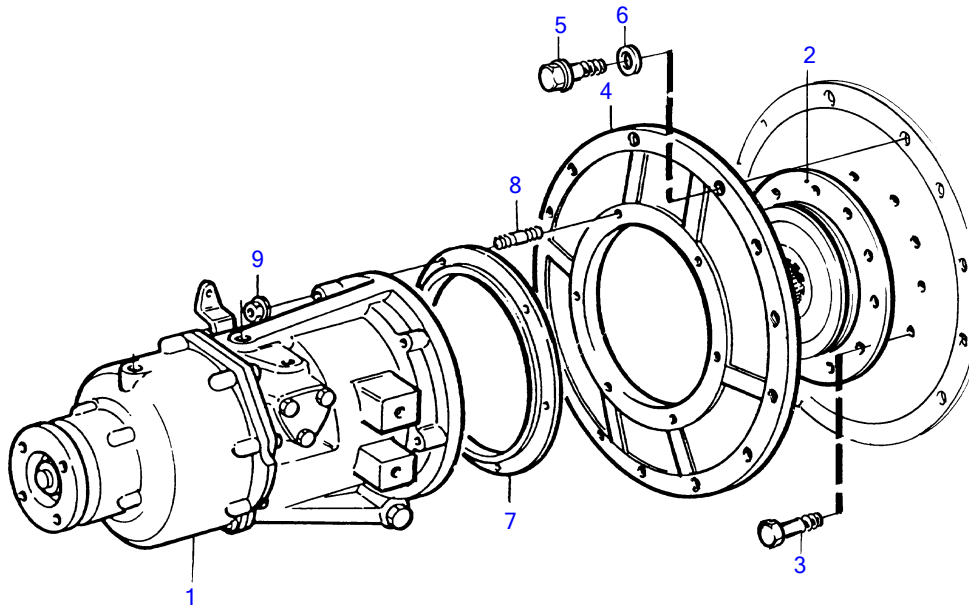


KAMD42B



11541

KAMD42B

REF	PART NO.	QTY	DESCRIPTION
1		1	Reversing gear
2	854753	1	Vibration damper
3	946173	9	Flange screw
4	829489	1	Cardboard tube
5	946752	11	Flange screw
6	941908	11	Spring washer
7	859566	1	Spacer ring
8	953084	6	Stud
9	971095	6	Flange nut