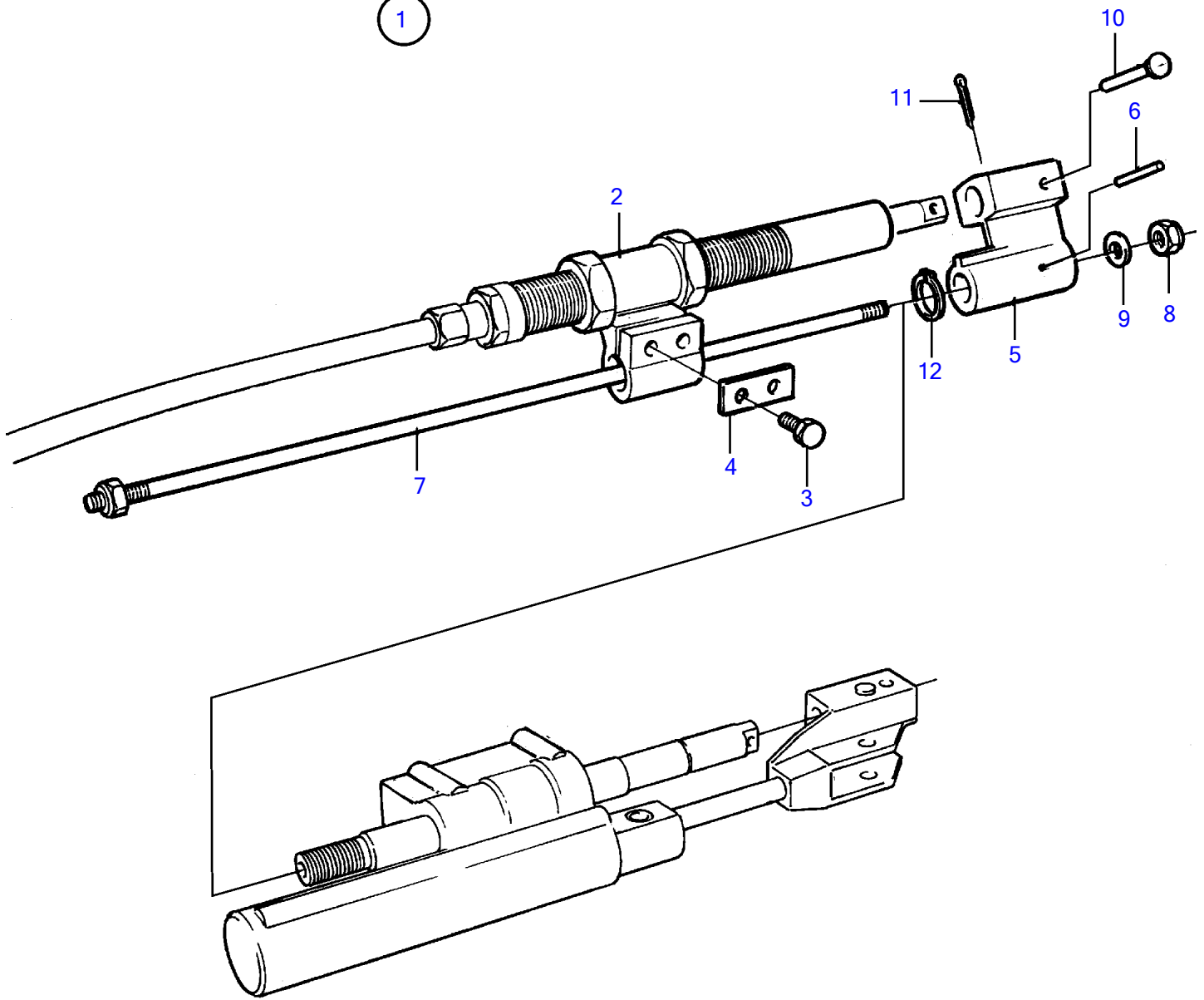


1



18714

| REF | PART NO. | QTY | DESCRIPTION | NOTES |
|-----|----------|-----|-----------------|---------------|
| 1 | (872375) | 1 | Connector kit | Obsolete part |
| 2 | | 1 | • Bracket | |
| 3 | 955297 | 2 | • Hexagon screw | |
| 4 | 872445 | 1 | • Lock washer | |
| 5 | (872378) | 1 | • End piece | Obsolete part |
| 6 | 951979 | 1 | • Spring pin | |
| 7 | | 1 | • Rod | |
| 8 | 966175 | 1 | • Lock nut | |
| 9 | 955900 | 1 | • Washer | |
| 10 | (851382) | 1 | • Clevis pin | Obsolete part |
| 11 | 964960 | 1 | • Split pin | |
| 12 | 914456 | 1 | • Snap ring | |