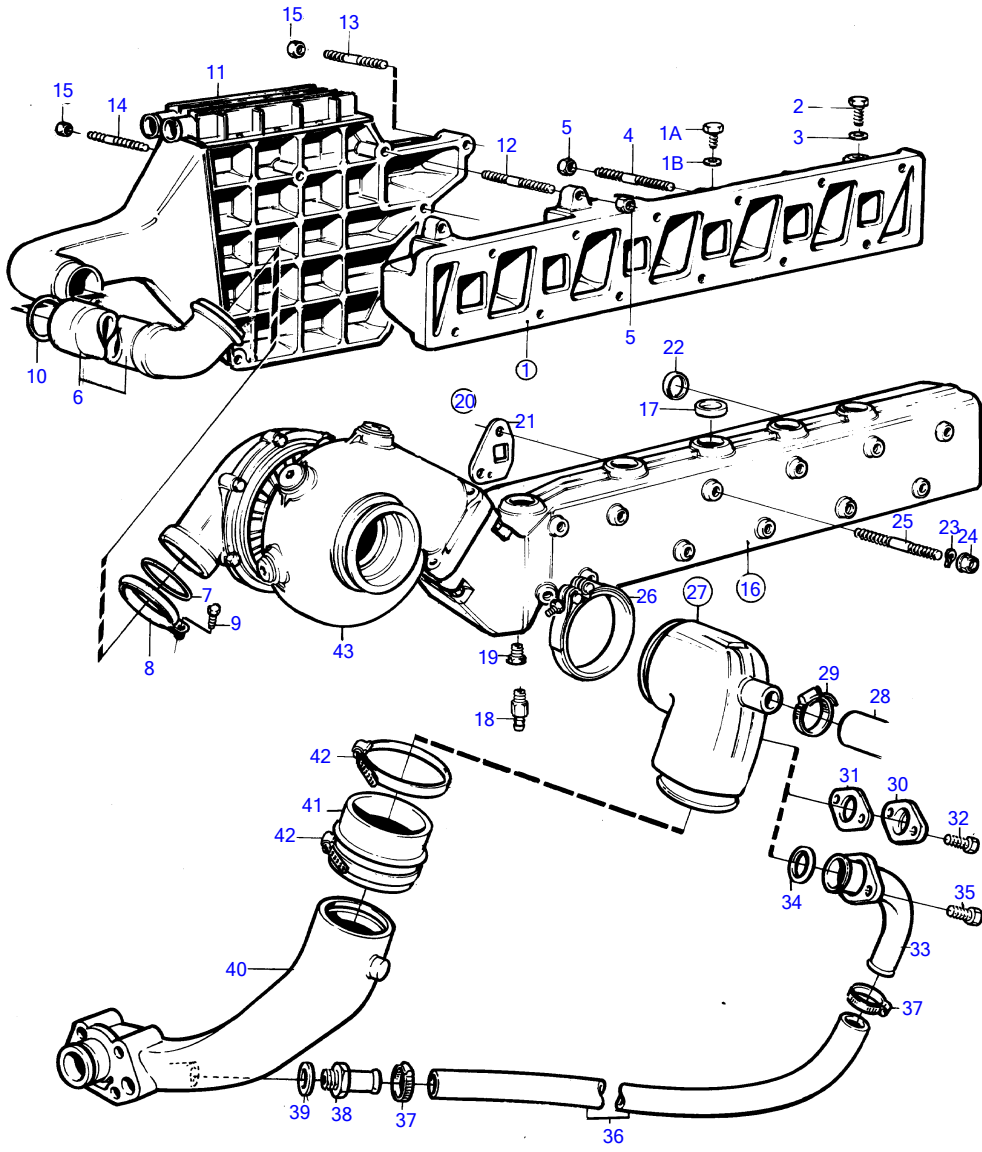


KAMD42B



15491

KAMD42B

REF	PART NO.	QTY	DESCRIPTION	NOTES
1	859300	1	Inlet pipe	
1A	960634	4	• Plug	
1B	947627	4	• Gasket	
2	960632	1	Plug	
3	947624	1	Gasket	
4	924068	8	Stud	L=50mm
	17942	2	Stud	L=110mm
5	968862	10	Nut	
6	838693	1	Connection pipe	
7	967944	1	O-ring	
8	838864	1	V-band clamp	
9	947542	1	Flange screw	
10	864723	1	Sealing ring	
11		1	Intercooler	
12	953049	2	Stud	L=50mm
13	17942	1	Stud	L=110mm
14	838854	1	Stud	L=185mm
15	968862	4	Nut	
16	861620	1	Exhaust pipe	(861306)
17	946780	11	• Cap plug	
19	192134	2	Plug	
20	876144	3	Gasket kit	
21	838673	2	• Gasket	Repl by 876144
22	838766	1	Sealing ring	
23	941908	10	Spring washer	
24	971095	12	Flange nut	
25	953001	2	Stud	L=120mm
	953002	7	Stud	L=125mm
	953003	1	Stud	L=130mm
	953007	1	Stud	L=150mm
	17378	1	Stud	L=170mm
26	842993	1	V-band clamp	
27	860656	1	Riser	D=32mm, repl by 861289
	861289	1	Exhaust riser	D=38mm
28	861278	1	Hose	Heat exchanger-exhaust riser.
29	943476	1	Hose clamp	For 860656
	943477	1	Hose clamp	For 861289
30	844093	1	Flange	
31	859002	1	Gasket	
32	946544	2	Flange screw	
43		1	Turbo	