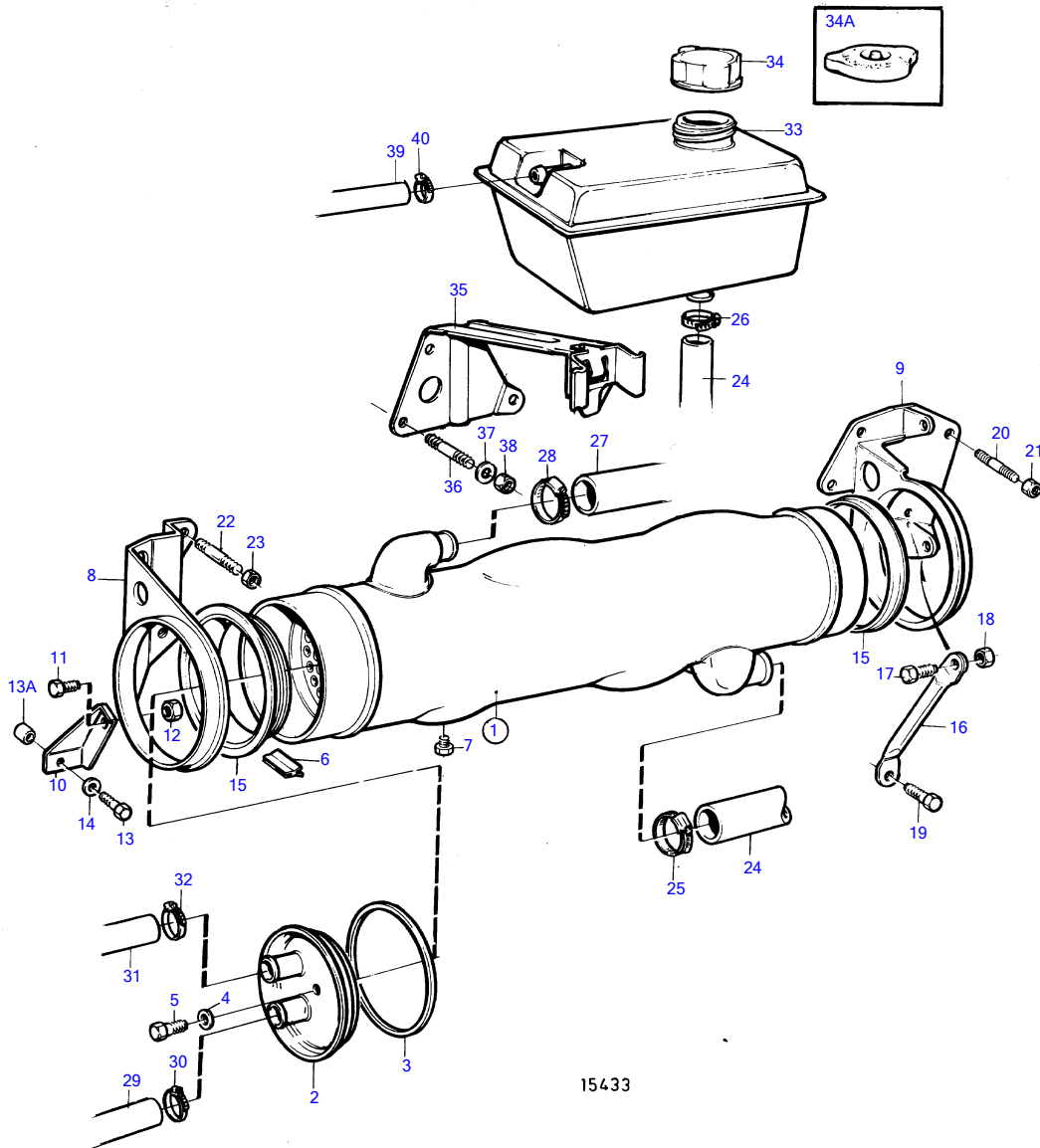


KAMD42B



## KAMD42B

REF	PART NO.	QTY	DESCRIPTION	SEE SEC.	NOTES
1	861082	1	Heat exchanger		
			• Bulletin 44-41	44-41-EN	New silencer kit for KAD/KAMD42-A
2	861308	1	• Cardboard tube		
3	925027	1	• O-ring		
4	964106	1	• Gasket		
5	963567	1	• Hexagon screw		
6	860127	3	• Sealing strip		
7	861551	1	• Plug		(861116)
8	860391	1	Bracket		
9	860392	1	Bracket		
10	860451	1	Stay		
11	946440	1	Flange screw		
12	948645	1	Flange lock nut		
13	965226	1	Flange screw		
14	940143	1	Toothed washer		
15	838733	2	Adapter		
16	860450	1	Stay		
17	945444	1	Flange screw		
18	948645	1	Flange lock nut		
19	965193	1	Flange screw		
20	953002	4	Stud		L=125mm
21	971095	4	Flange nut		
22	17378	2	Stud		L=170mm
23	971095	2	Flange nut		
24	861112	1	Hose		Heat exchanger-expansion tank-water pump.
25	943477	1	Hose clamp		
26	943474	1	Hose clamp		
27	861109	1	Hose		Thermostat housing-heat exchanger.
28	943477	1	Hose clamp		
29	861277	1	Hose		Heat exchanger-after cooler.
30	943475	1	Hose clamp		
31	861278	1	Hose		Heat exchanger-exhaust riser.
32	943475	1	Hose clamp		
33	861105	1	Expansion tank		
			• Bulletin P-18-4-4	P-18-4-4-EN	Coolant Recommendations for Gas Engines
			• Bulletin p-26-1-7	p-26-1-7-EN	Coolant Capacity, FWC Gas Engines
34	1357775	1	Pressure cap		
34A	845587	1	Filler cap		When separate expansion tank is being used.
35	861107	1	Bracket		
36		3	Stud	535	
37	941908	3	Spring washer		
38	971095	3	Flange nut		
39	942700	X	Hose		L=600mm
40	945652	1	Hose clamp		