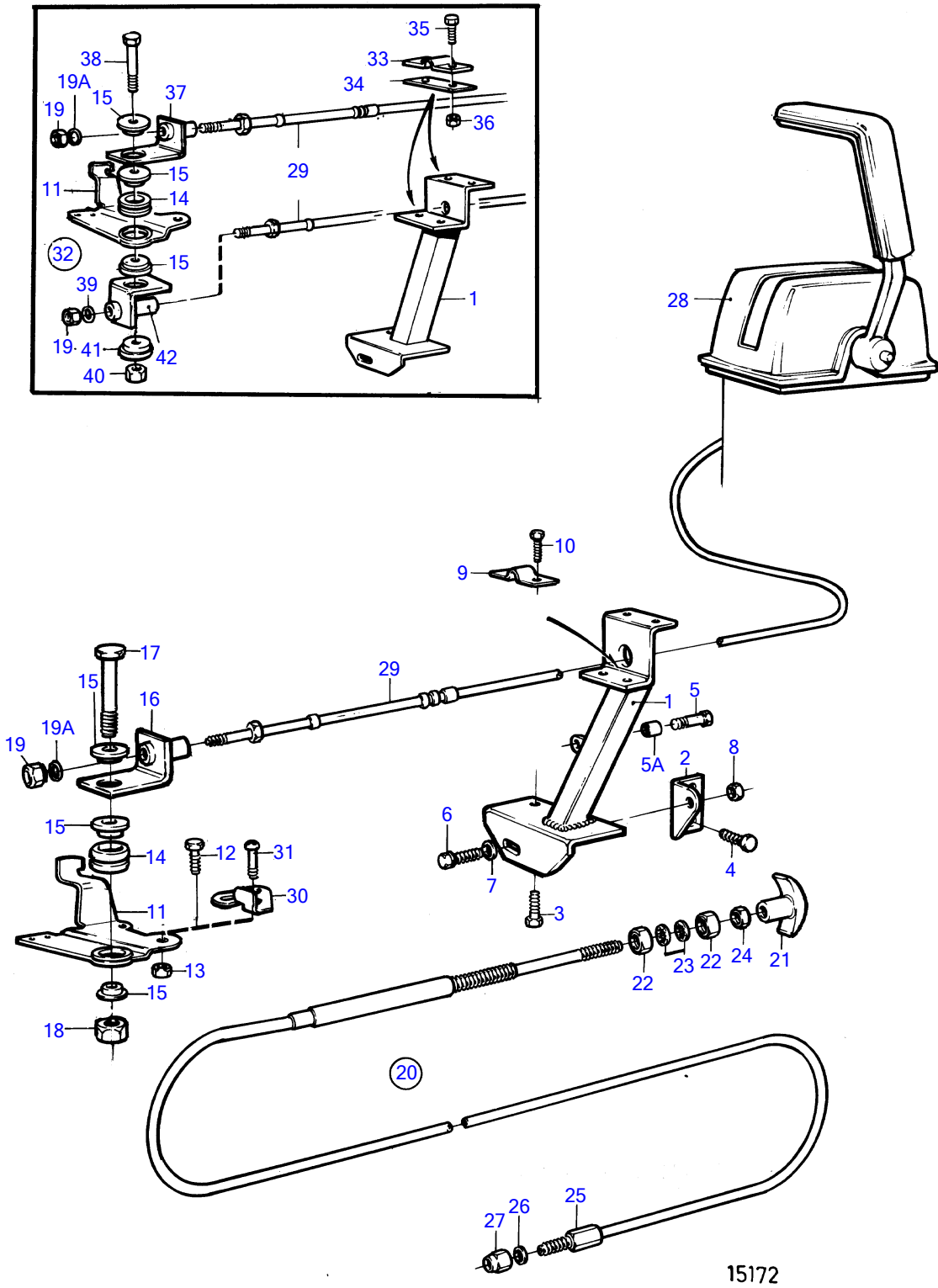


KAD42B, KAMD42B, TAMD42B



15172

KAD42B, KAMD42B, TAMD42B

REF	PART NO.	QTY	DESCRIPTION	NOTES
1	838783	1	Bracket	
2	838753	1	Bracket	
3	946471	1	Flange screw	L=16mm
	946441	1	Flange screw	L=20mm
4	946440	2	Flange screw	
5	947542	1	Flange screw	
5A		1	Spacer sleeve	
6	945444	1	Flange screw	
7	191172	1	Washer	
8	948645	1	Flange lock nut	
9	21471054	1	Bracket	
10	956078	2	Cross recessed screw	
11	(858261)	1	Lever	Obsolete part
12	946544	1	Flange screw	KAMD42B, KAD42B
13	949278	1	Flange lock nut	KAMD42B, KAD42B
14	843109	1	Bushing	
15	843105	3	Spacer washer	
16	843107	1	Anchorage	
17	955274	1	Hexagon screw	
18	949278	1	Flange lock nut	
19	951674	1	Lock nut	
19A	955971	1	O-ring	
20	(818478)	1	Push pull control	L=3,3mm, Obsolete part
	(818470)	1	Push pull control	L=6,9mm, Obsolete part
21	(829241)	1	• Handle	Obsolete part
22	955857	2	• Hexagon nut	
23	955950	2	• Toothed washer	
24	955844	1	• Hexagon nut	
25	829070	1	Cable lock	
26	955894	2	Washer	
27	(950363)	1	Lock nut	Obsolete part
28		X	Control	
29		X	Control cable	
30	860959	1	Stop dog	KAMD42B, KAD42B
31	956094	1	Cross recessed screw	KAMD42B, KAD42B