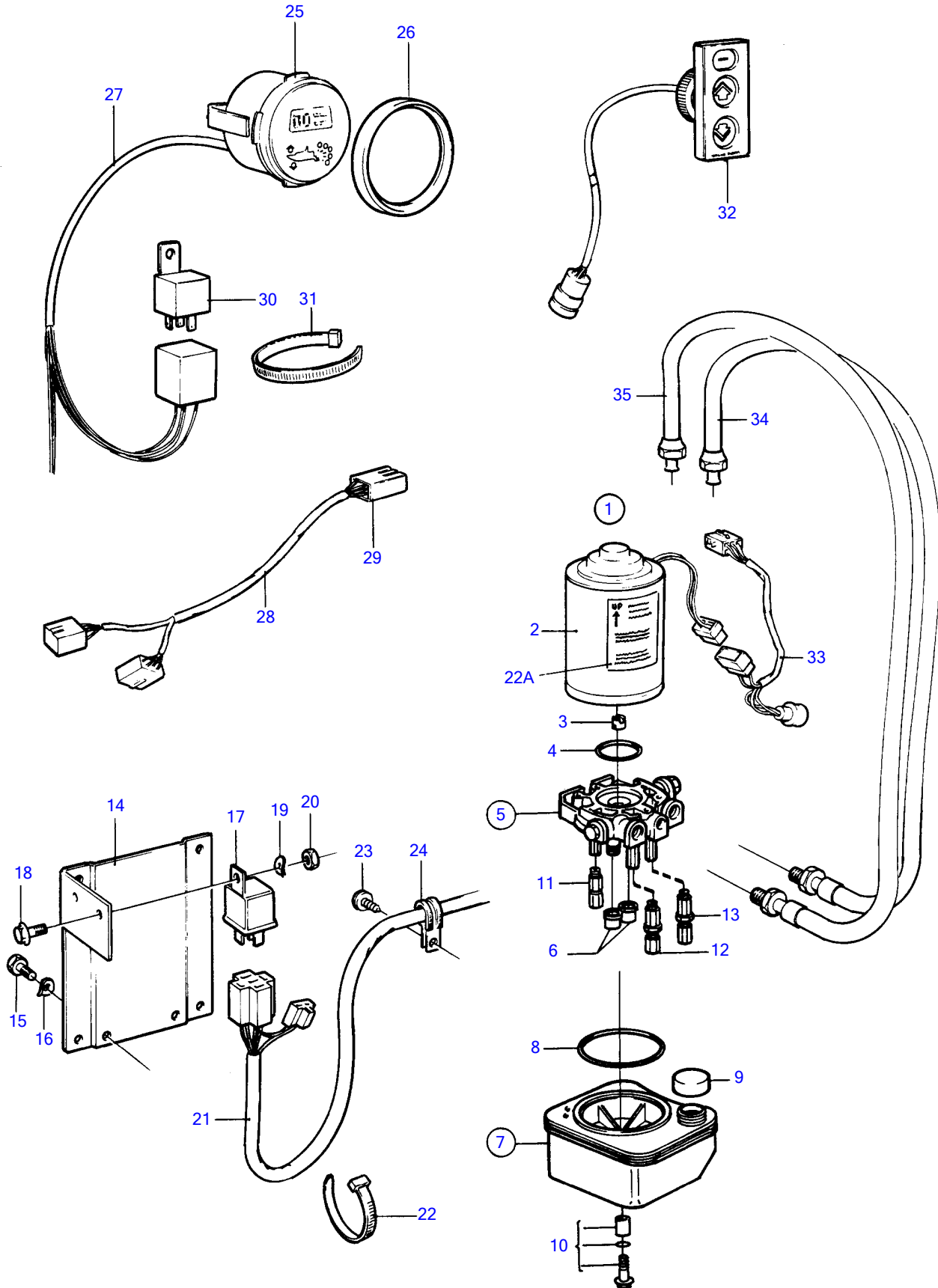


KAD42A



## KAD42A

| REF | PART NO. | QTY | DESCRIPTION            | SEE SEC. | NOTES                |
|-----|----------|-----|------------------------|----------|----------------------|
| 1   | 872449   | 1   | Hydraulic pump         |          |                      |
| 2   | 854525   | 1   | Electrical motor       |          |                      |
| 3   | 854526   | 1   | • Clutch               |          |                      |
| 4   | 854527   | 1   | • O-ring               |          |                      |
| 5   | (854528) | 1   | Valve housing          |          | Obsolete part        |
| 6   | 854530   | 2   | • Filter               |          |                      |
| 7   | 854531   | 1   | Reservoir              |          |                      |
| 8   | 854532   | 1   | • O-ring               |          |                      |
| 9   | 854533   | 1   | • Cover                |          |                      |
| 10  | 854534   | 1   | • Small parts kit      |          |                      |
| 11  | 854535   | 1   | Hydraulic pump         |          |                      |
| 12  | 854536   | 1   | High pressure unit     |          |                      |
| 13  | 854537   | 1   | Pressure box           |          |                      |
| 14  | 854438   | 1   | Bracket                |          |                      |
| 15  | 970945   | 2   | Hexagon screw          |          |                      |
| 16  | 941908   | 2   | Spring washer          |          |                      |
| 17  | 854357   | 2   | Relay                  |          |                      |
| 18  | 948663   | 2   | Flange screw           |          |                      |
| 19  | 941905   | 2   | Spring washer          |          |                      |
| 20  | 955780   | 2   | Hexagon nut            |          |                      |
| 21  |          | X   | cables and terminals   |          | See group 3          |
| 22  | 948210   | 1   | Cable tie              |          |                      |
| 22A | 853097   | 1   | Sign                   |          |                      |
| 23  | 952630   | 4   | • Clamp                |          |                      |
| 24  | 955138   | 4   | • Cross recessed screw |          |                      |
| 25  | 872498   | 1   | Trimmer                |          |                      |
| 26  | 858643   | 1   | Front ring             |          |                      |
| 27  | 856821   | 1   | Cable kit              |          |                      |
| 28  | 853066   | 1   | Cable trunk            |          | For dual station.    |
| 29  |          | X   | • cables and terminals |          | See group 3          |
| 30  | 872300   | 2   | Relay                  |          | 12V 30A              |
| 31  | 949666   | X   | Cable tie              |          |                      |
| 32  | 853846   | 1   | Control panel          |          |                      |
| 33  | 853032   | 1   | Cable trunk            |          |                      |
|     | 948294   | X   | • Housing              |          | 9-pol                |
|     | 965822   | X   | • Cable terminal       |          | 3,5X1X2,5            |
|     | (853498) | X   | • Anode kit            |          | 3-pol, Obsolete part |
|     | 853521   | X   | • Cable terminal       |          | For853498            |
| 34  | 854700   | 1   | Hydraulic hose         | 20732    |                      |
| 35  | 854701   | 1   | Hydraulic hose         | 20732    |                      |