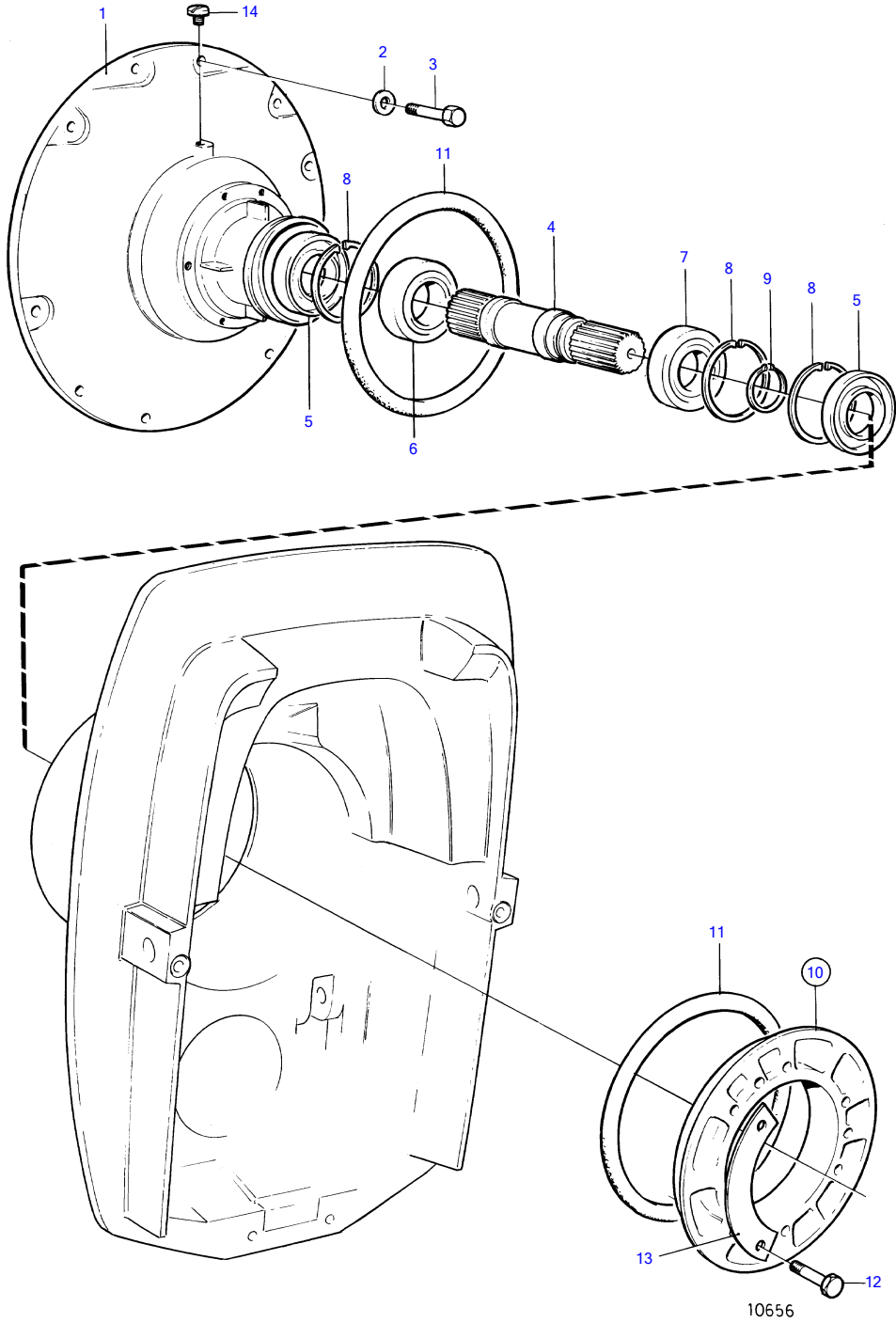


KAD42A



KAD42A

REF	PART NO.	QTY	DESCRIPTION	NOTES
1	844519	1	Flywheel housing	
2	941908	10	Spring washer	Early type
3	946752	10	Flange screw	
	963075	1	Set screw	
4	853809	1	Spindle	
5	958860	2	Sealing ring	
6	11013	1	Ball bearing	
7	181105	1	Ball bearing	
8	914533	3	Snap ring	
9	914462	1	Snap ring	
10	854317	1	Clamping ring kit	
11	813967	2	• Rubber ring	
12	191844	6	• Hexagon screw	
13	806624	3	• Striker plate	
14	804262	1	Plug	

7745930-44-20730

10656

Upd:2011-03-18

KAD42A, KAMD42A, DP-D, HS1A, MS5B