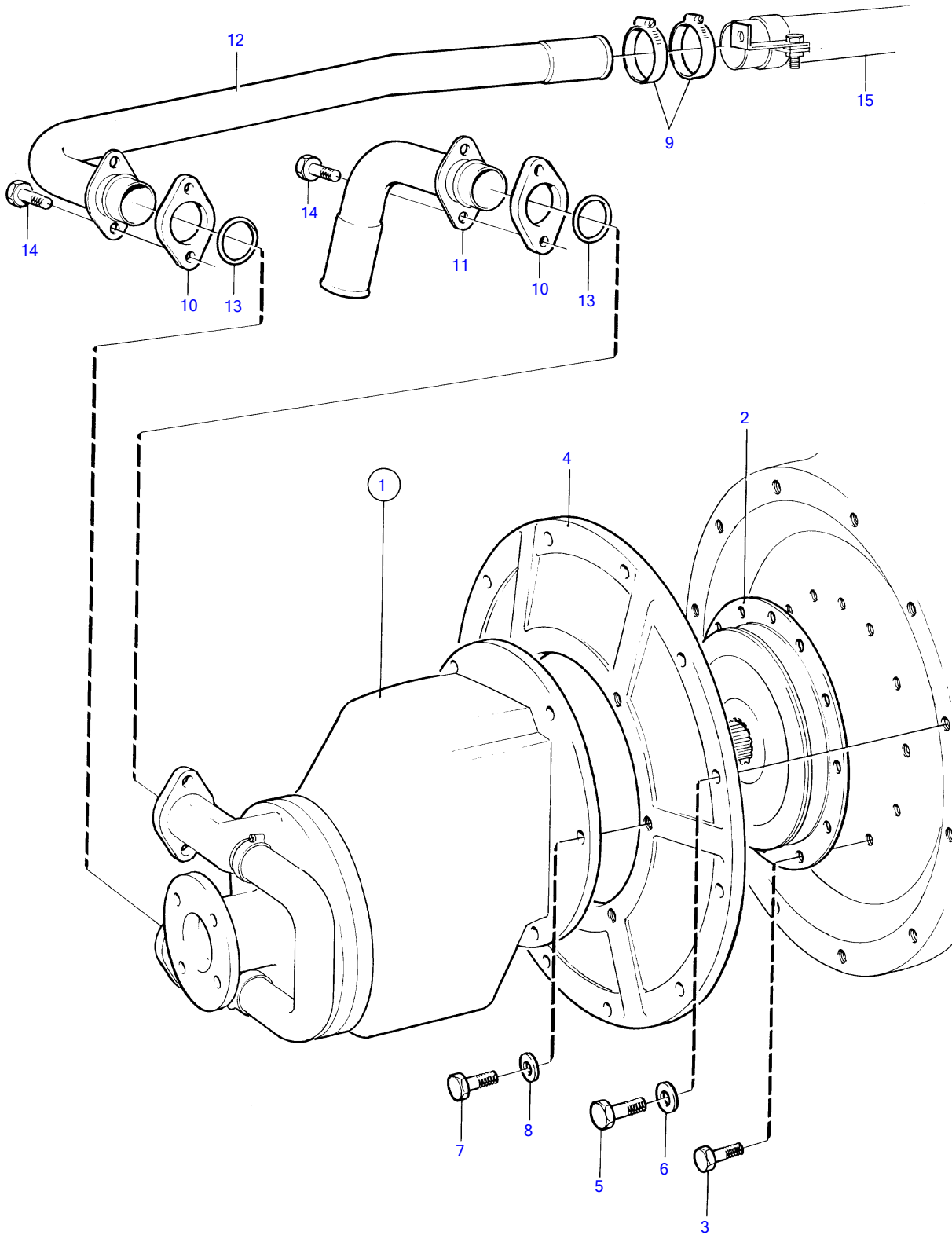


KAMD42A



10544

KAMD42A

REF	PART NO.	QTY	DESCRIPTION	NOTES
1	854906	1	Transmission • components	See group 4B
	854907	1	Transmission • components	Ratio 2.40:1 See group 4B
2	854753	1	Vibration damper	
3	946173	9	Flange screw	
4	829489	1	Cardboard tube	
5	946752	11	Flange screw	
6	941908	11	Spring washer	Early type
7	946752	6	Flange screw	
8	941908	6	Spring washer	Early type
9	961669	2	Hose clamp	
10	854184	2	Flange	
11	854758	1	Coolant pipe	
12	854759	1	Coolant pipe	
13	925062	2	O-ring	
14	942001	4	Hex. socket screw	
15	860640	1	Hose	Reverse gear-sea water pump