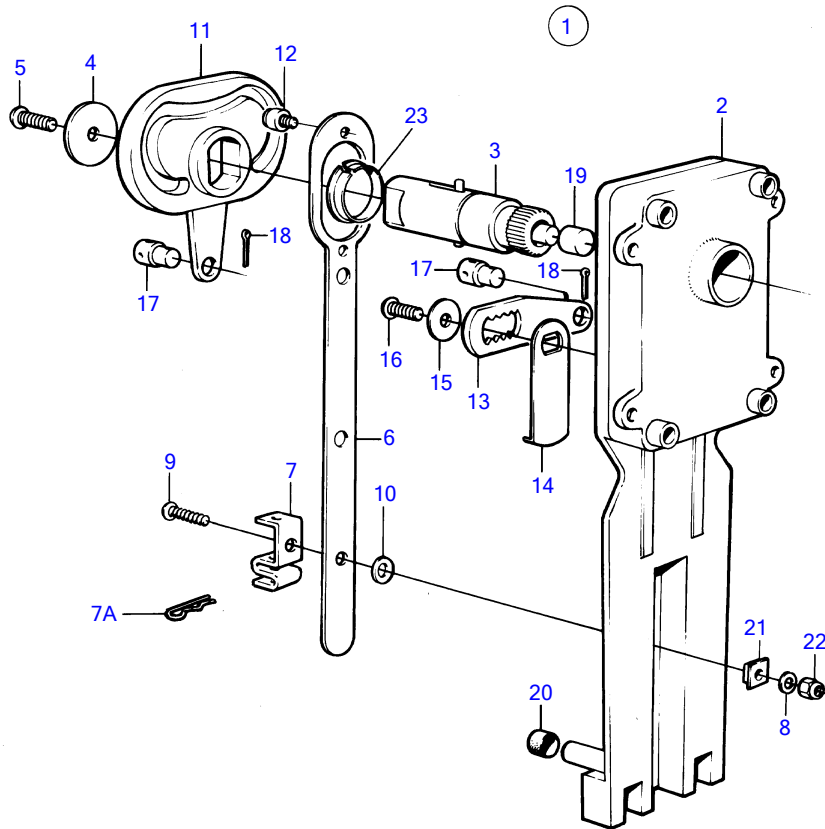


KAD42A, KAMD42A



7600

KAD42A, KAMD42A

REF	PART NO.	QTY	DESCRIPTION
1	851600	1	Control
7	853423	1	• Retainer
7A	852924	1	• Clip
17	839638	2	• Cube
18	17253	2	• Split pin