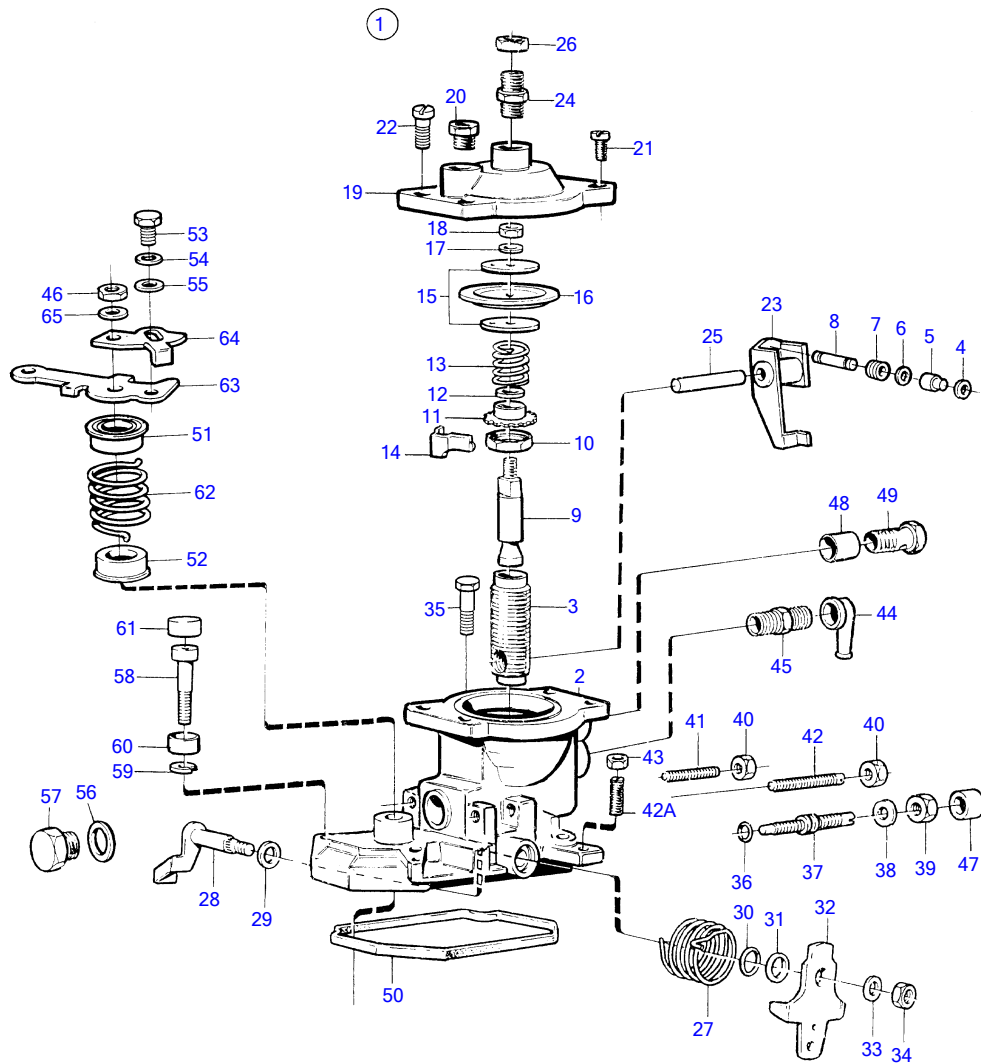


KAD42A, KAMD42A



11581

KAD42A, KAMD42A

REF	PART NO.	QTY	DESCRIPTION	NOTES
1		1	regulator	For pump 861102.
2		1	• housing	
3		X	• Bearing bushing	
		X	• Bearing bushing	
4		1	• shim	
5	(244934)	1	• Bearing bushing	Obsolete part
6		1	• Protecting ring	
7	(1698691)	1	• Washer	Obsolete part
8		1	• stud bolt	
9		1	• adjusting screw	
10	(6213509)	1	• Nut	Obsolete part
11		1	• nut	
12	(244948)	1	• Bushing	TH=1,70mm, Obsolete part
	(244949)	1	• Bushing	TH=2,50mm, Obsolete part
	(244950)	1	• Bushing	TH=3,50mm, Obsolete part
	(244951)	1	• Bushing	TH=4,50mm, Obsolete part
13		1	• spring	
14	(244936)	1	• Striker plate	Obsolete part
15		2	• washer	
16	244944	1	• Diaphragm	
17	949607	1	• Spring washer	
18	(244945)	1	• Nut	Obsolete part
19		1	• cover	
20		1	• plug	
21	956092	2	• Cross recessed screw	
22	(244955)	2	• Screw	Obsolete part
23		1	• lever	
24		1	• screw	
25		1	• pin	
26	(244997)	1	• Nut	Obsolete part
27	(859463)	1	• Spring	Obsolete part
28		1	• shaft	
29	(844220)	1	• Washer	Obsolete part
30	844224	1	• O-ring	
31	(244938)	1	• Gasket	Obsolete part
32		1	• lever	
33	949607	1	• Spring washer	
34	955781	1	• Hexagon nut	
35	(959208)	3	• Hex. socket screw	Obsolete part
36	244963	1	• Shim	
37	(244962)	1	• Screw	Obsolete part
38		1	• washer	
39		1	• nut	
40	955781	2	• Hexagon nut	
41		1	• adjusting screw	
42		1	• adjusting screw	
42A		1	• stud bolt	
43	955781	1	• Hexagon nut	
44		1	• protecting sleeve	
45	(244973)	1	• Screw	Obsolete part
46	940197	1	• Hexagon nut	
47	(844652)	1	• Spacer sleeve	Obsolete part
48		1	• sleeve	
49	861514	1	• Hollow screw	
50	845785	1	• Gasket	
51		1	• spring Disc	
52		1	• spring Disc	
53	(244970)	1	• Screw	Obsolete part
54	949607	1	• Spring washer	
55	955892	1	• Washer	
56	18839	1	• Gasket	
57		1	• screw	
58		1	• screw	

KAD42A, KAMD42A

REF	PART NO.	QTY	DESCRIPTION	NOTES
59	(843166)	1	• Washer	Obsolete part
60		1	• sleeve	
61		1	• cover	
62	244967	1	• Spring	
63	244961	1	• Lever	
64	244969	1	• Lever	
65	949607	1	• Spring washer	