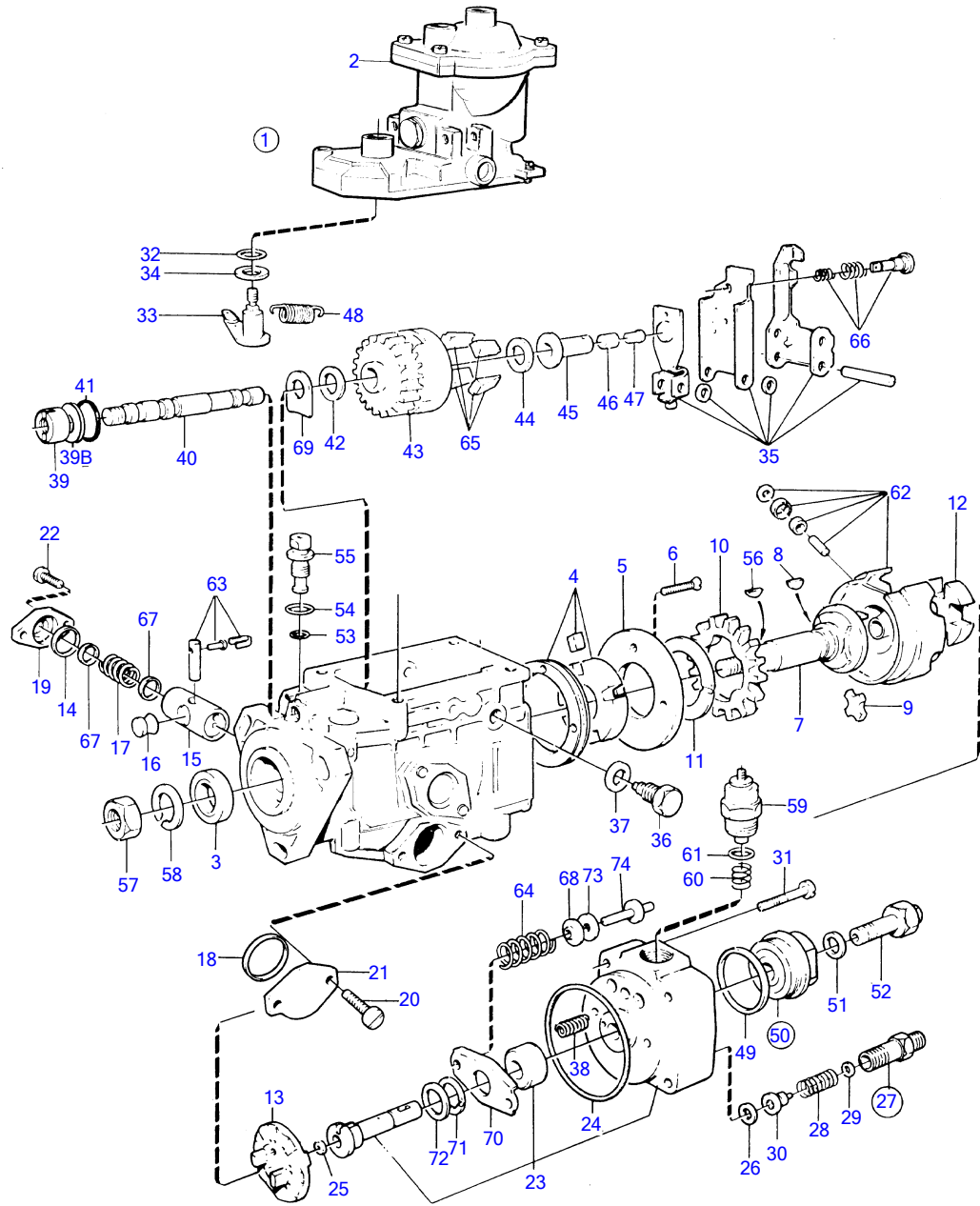


KAD42A, KAMD42A



11580

KAD42A, KAMD42A

REF	PART NO.	QTY	DESCRIPTION	SEE SEC.	NOTES
1	861102	1	Injection pump		
2		1	• regulator		
			• •	20710	
			• •	20710	
3	(845744)	1	• Sealing ring		Obsolete part
4	(244917)	1	• Rotor		Obsolete part
5		1	• Support ring		
6		2	• screw		
7		1	• shaft		
8	(844293)	1	• Key		Obsolete part
9	844150	2	• Absorber		
10	(844147)	1	• Gear		Obsolete part
11	(844146)	1	• Washer		Obsolete part
12		1	• cross piece		
13		1	• carrier		
14	838445	1	• O-ring		
15	(859271)	1	• Control piston		Obsolete part
16	(858907)	1	• Roller		Obsolete part
17		1	• spring		
18	838445	1	• O-ring		
19		1	• flange		
20	(244923)	2	• Screw		Obsolete part
21		1	• cover		
22	(244923)	2	• Screw		Obsolete part
23		1	• housing		
24	(243555)	1	• Sealing ring		Obsolete part
25	(845726)	X	• Shim		TH=2,00mm, Obsolete part
	(844155)	X	• Adjusting washer		Obsolete part, TH=2,12mm
	(844156)	X	• Adjusting washer		Obsolete part, TH=2,20mm
	(845730)	X	• Shim		Obsolete part, TH=2,40mm
	(243545)	X	• Adjusting washer		Obsolete part, TH=2,50mm
26	845738	6	• Washer		
27		6	• pressure valve		
28		6	• spring		
29		6	• bushing		
30	(861203)	6	• Retainer		Obsolete part
31	(244931)	4	• Hex. socket screw		Obsolete part
32	243567	1	• Sealing ring		
33		1	• lever		
34		1	• spacer		
35		1	• lever		
36		2	• screw		
37		2	• washer		
38	(859462)	2	• Spring		Obsolete part
39		1	• Nut		
40		1	• shaft		
41		1	• o-ring		
42		1	• washer		
43	(844213)	1	• Control knob		Obsolete part
44		1	• spacer washer		
45		1	• Control sleeve		
46		1	• sealing cover		
47		1	• stop pin		
48	(244965)	1	• Spring		Obsolete part
49	(838402)	1	• O-ring		Obsolete part
50	861491	1	• Screw		
51		1	• • gasket		
52		1	• • Screw		
53	861520	1	• O-ring		
54	243520	1	• Sealing ring		
55	844179	1	• Valve		
56		1	•		
57	955804	1	• Hexagon nut		

KAD42A, KAMD42A

REF	PART NO.	QTY	DESCRIPTION	SEE SEC.	NOTES
58	955925	1	• Spring washer		
59	876614	1	• Stop solenoid		
60	861208	1	• • Spring		
61		1	• • o-ring		
62		1	• Overhaul kit		
63	(244974)	1	• Kit		Obsolete part
64		1	• spring		
65	(844212)	1	• Regulator weight		Obsolete part
66		1	• Kit		
67	(244425)	1	• Adjusting washer		Obsolete part
68		2	• shim		
69	(844215)	1	• Washer		Obsolete part
70		1	• spring Disc		
71		1	• washer		
72		1	• washer		
73		2	• spring Disc		
74		2	• pin		
	844240	X	• • Gasket kit		