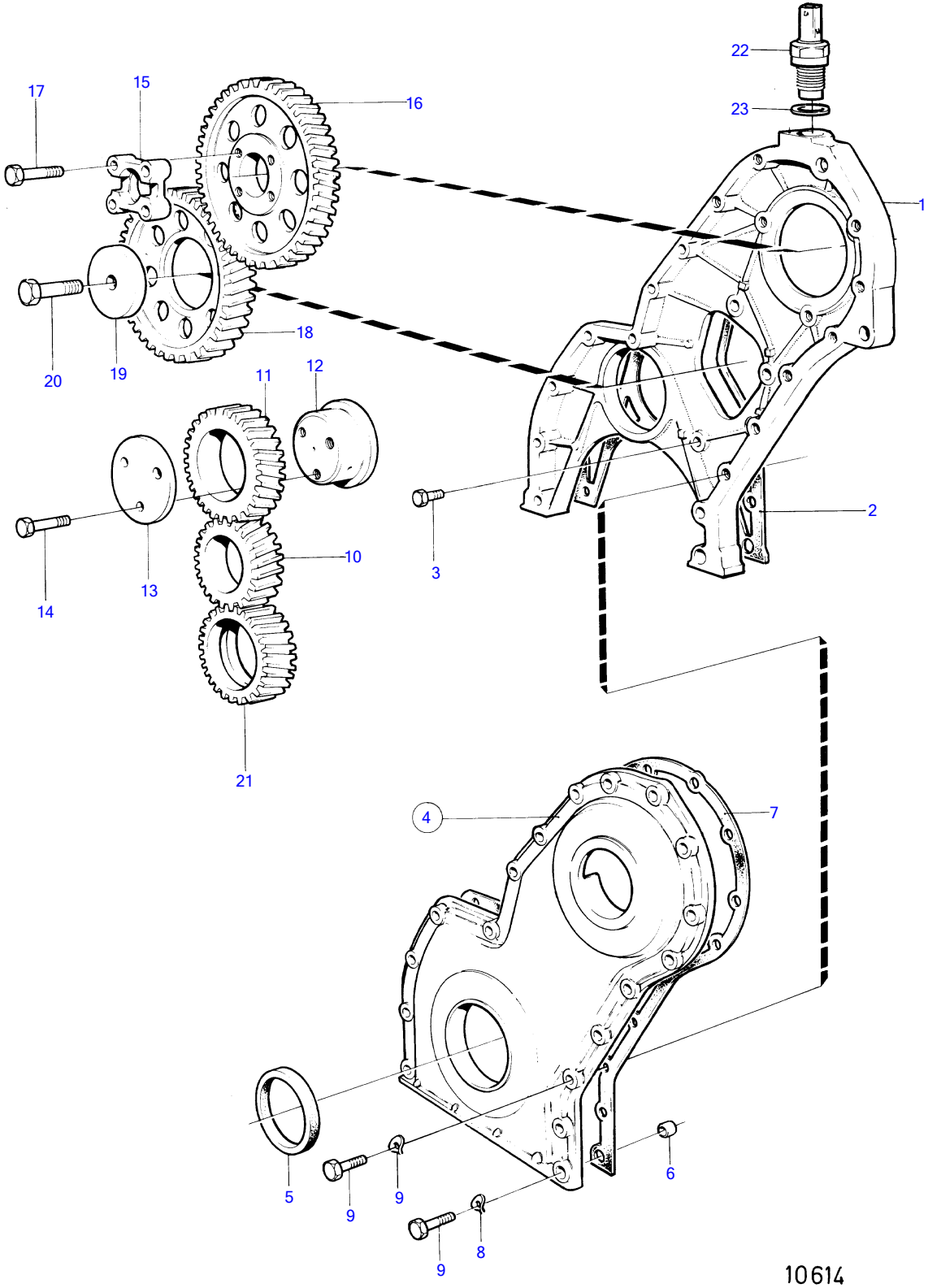


KAD42A, KAMD42A



10614

KAD42A, KAMD42A

REF	PART NO.	QTY	DESCRIPTION	SEE SEC.	NOTES
1	860664	1	Timing gear casing		
2	859039	1	Gasket		
3	946173	3	Flange screw		L=20mm
	946671	1	Flange screw		L=30mm
4	843086	1	Cover		Replaced by 842991
	842991	1	• Cover		
5	1542318	1	• Sealing ring		
6	415311	2	• Guide sleeve		
7	859038	1	Gasket		
8	941907	2	Spring washer		
9	946470	5	Flange screw		L=35mm
	947760	2	Flange screw		L=40mm
	948217	1	Flange screw		L=45mm
	965181	6	Flange screw		L=70mm
	965182	3	Flange screw		L=80mm
	965183	1	Flange screw		L=90mm
10	1542305	1	Gear	20684	
11	1542061	1	Gear		
12	838997	1	Bearing spindle		
13	1542065	1	Thrust washer		
14	965180	3	Flange screw		
15	829523	1	Companion flange		
16	838657	1	Gear		
17	955298	4	Hexagon screw		
18	1542034	1	Gear	20685	
19	1542223	1	Washer		
20	965193	1	Flange screw		
21	1542215	1	Oil pump wheel	20688	
22	862251	1	Tachometer sensor		For revolution relay
23	957181	1	Gasket		

7745930-21-20686

10614

Upd:2011-03-18

KAD42A, KAMD42A, DP-D, HS1A, MS5B

VOLVO
PENTA