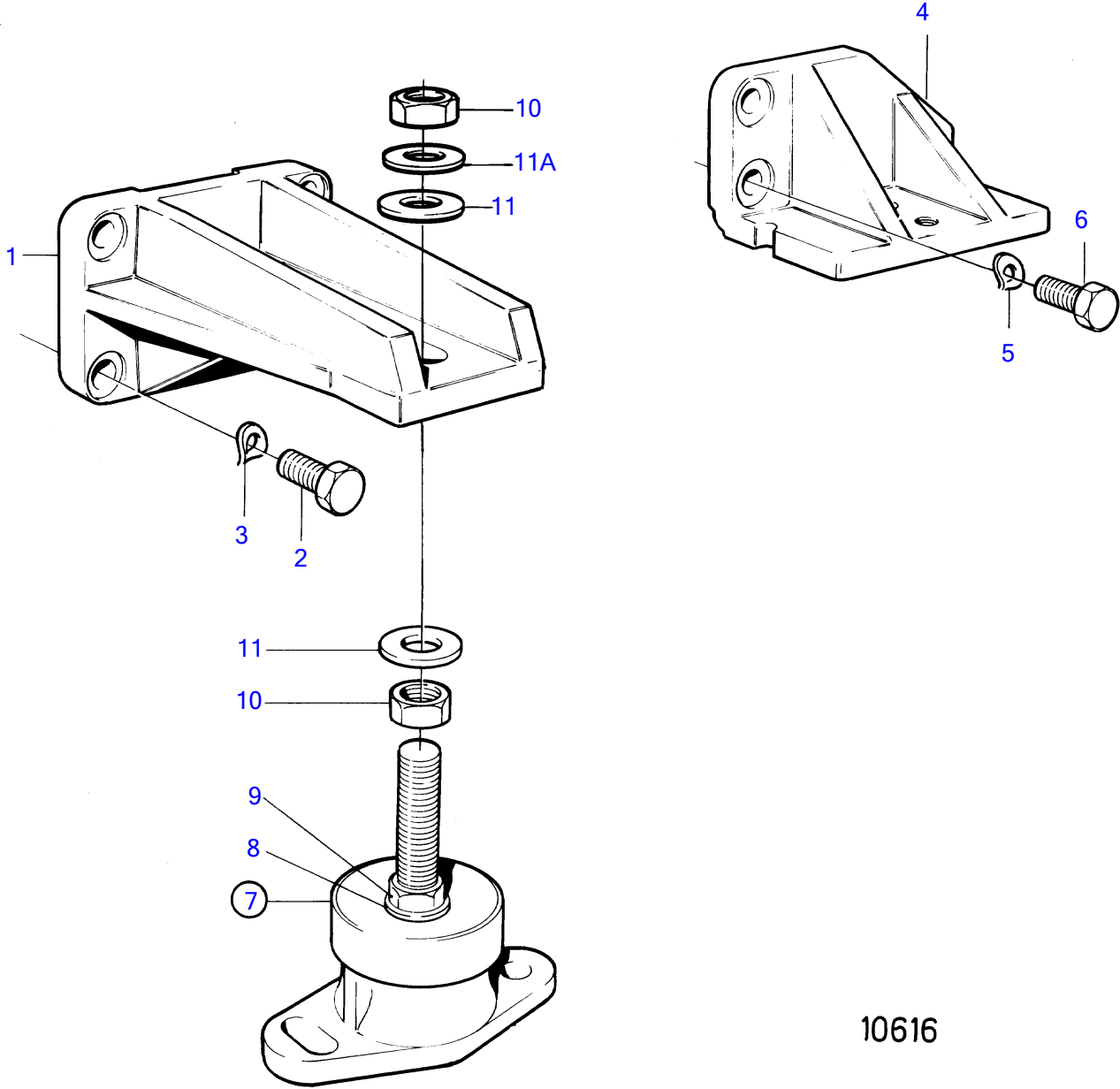


KAMD42A



10616

KAMD42A

REF	PART NO.	QTY	DESCRIPTION	SEE SEC.	NOTES
1	860027	2	Engine bracket		Front, With hole for M16 adjusting bolt
	860953	2	Engine bracket		Front, With hole for M18 adjusting bolt
2	965192	7	Flange screw		L=40mm
	965193	1	Flange screw		L=50mm
3	940280	8	Spring washer		
4	859375	1	Engine mountings		Rear, With hole for M16 adjusting bolt, P
	860952	1	Engine bracket		Rear, With hole for M18 adjusting bolt, P
	859376	1	Engine mountings		Rear, With hole for M16 adjusting bolt, S.B
	860954	1	Engine bracket		Rear, With hole for M18 adjusting bolt, S.B
5	940280	4	Spring washer		
	955897	2	Washer		
6	966343	3	Flange screw		L=35mm
	965226	3	Flange screw		L=45mm
7	829976	4	Rubber element		With M16 adjusting bolt
			Bulletin 44-26	44-26-EN	Reinforced Rubber Cushion
7	876597	4	Rubber element		With M18 adjusting bolt
8	955900	4	• Washer		
9	829567	4	• Adjuster bolt		M16
	860950	4	Adjusting screw		M18
10	955805	8	Hexagon nut		For M16 adjusting bolt
	955806	8	Hexagon nut		For M18 adjusting bolt
11	191940	6	Washer		For M16 adjusting bolt, D=40mm
	955900	2	Washer		For M16 adjusting bolt, D=30mm
	978991	4	Washer		For M18 adjusting bolt, D=40mm
	955901	4	Washer		For M18 adjusting bolt, D=34mm
11A	941912	4	Spring washer		For M16 adjusting bolt
11	941913	4	Spring washer		For M18 adjusting bolt