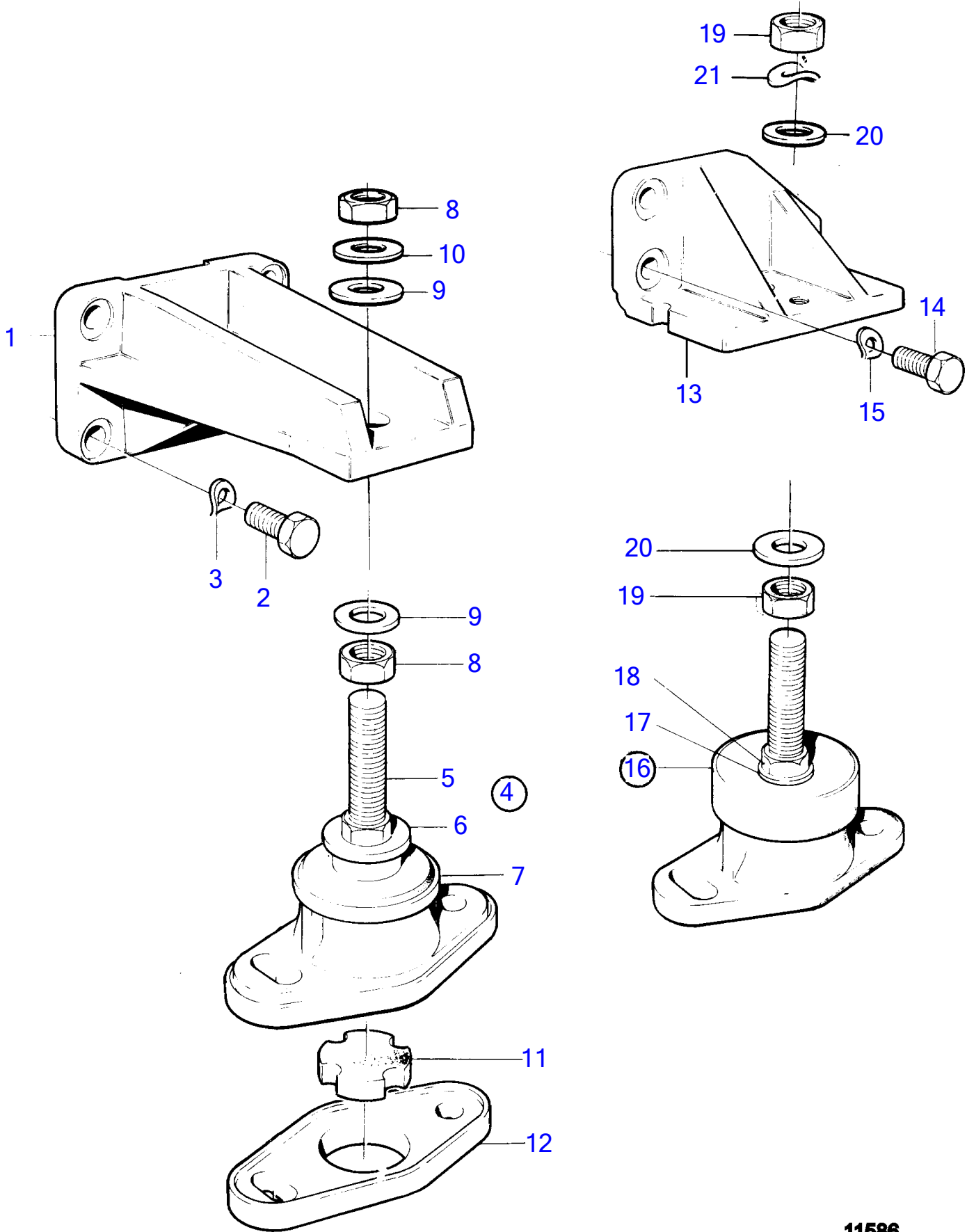


KAD42A



KAD42A

REF	PART NO.	QTY	DESCRIPTION	SEE SEC.	NOTES
1	860027	2	Engine bracket		With hole for M16 adjusting bolt
	860953	2	Engine bracket		With hole for M18 adjusting bolt
2	965192	7	Flange screw		L=40mm
	965193	1	Flange screw		L=50mm
3	940280	8	Spring washer		
4	859556	2	Rubber element		For M16 adjusting bolt
			Bulletin 44-26	44-26-EN	Reinforced Rubber Cushion
4	876596	2	Rubber element		For M18 adjusting bolt
5	829567	2	• Adjuster bolt		Included in rubber element 859556, M16
	860950	2	• Adjusting screw		Included in rubber element 876596, M18
6	843298	2	• Washer		
7	843323	2	• Rubber element		
8	955805	4	• Hexagon nut		Included in rubber element 859556, M16
	955806	4	Hexagon nut		M18
9	191940	4	• Washer		For M16 adjusting bolt, Included in rubber element 859556
	955901	2	Washer		For M18 adjusting bolt, D=34mm
	978991	2	Washer		For M18 adjusting bolt, D=40mm
10	941912	2	• Spring washer		For M16 adjusting bolt, Included in rubber element 859556
	941913	2	Spring washer		For M18 adjusting bolt
11	843299	2	• Rubber disc		Included in rubber element 859556
	843299	2	Rubber disc		
12	843286	2	Pad		
13	859375	1	Engine mountings		Rear, With hole for M16 adjusting bolt, P
	860952	1	Engine bracket		Rear, With hole for M18 adjusting bolt, P
	859376	1	Engine mountings		Rear, With hole for M16 adjusting bolt, S.B
	860954	1	Engine bracket		Rear, With hole for M18 adjusting bolt, S.B
14	966343	3	Flange screw		L=35mm
	965226	3	Flange screw		L=45mm
15	940280	4	Spring washer		
	955897	2	Washer		
16	829976	2	Rubber element		With M16 adjusting bolt
			Bulletin 44-26	44-26-EN	Reinforced Rubber Cushion
16	876597	2	Rubber element		With M18 adjusting bolt
17	955900	2	• Washer		
18	829567	2	• Adjuster bolt		M16
	860950	2	Adjusting screw		M18
19	955805	4	Hexagon nut		For M16 adjusting bolt
	955806	4	Hexagon nut		For M18 adjusting bolt
20	191940	3	Washer		For M16 adjusting bolt, D=40mm
	955900	1	Washer		For M16 adjusting bolt, D=30mm
	978991	2	Washer		For M18 adjusting bolt, D=40mm
	955901	2	Washer		For M18 adjusting bolt, D=34mm
21	941912	2	Spring washer		For M16 adjusting bolt
	941913	2	Spring washer		For M18 adjusting bolt