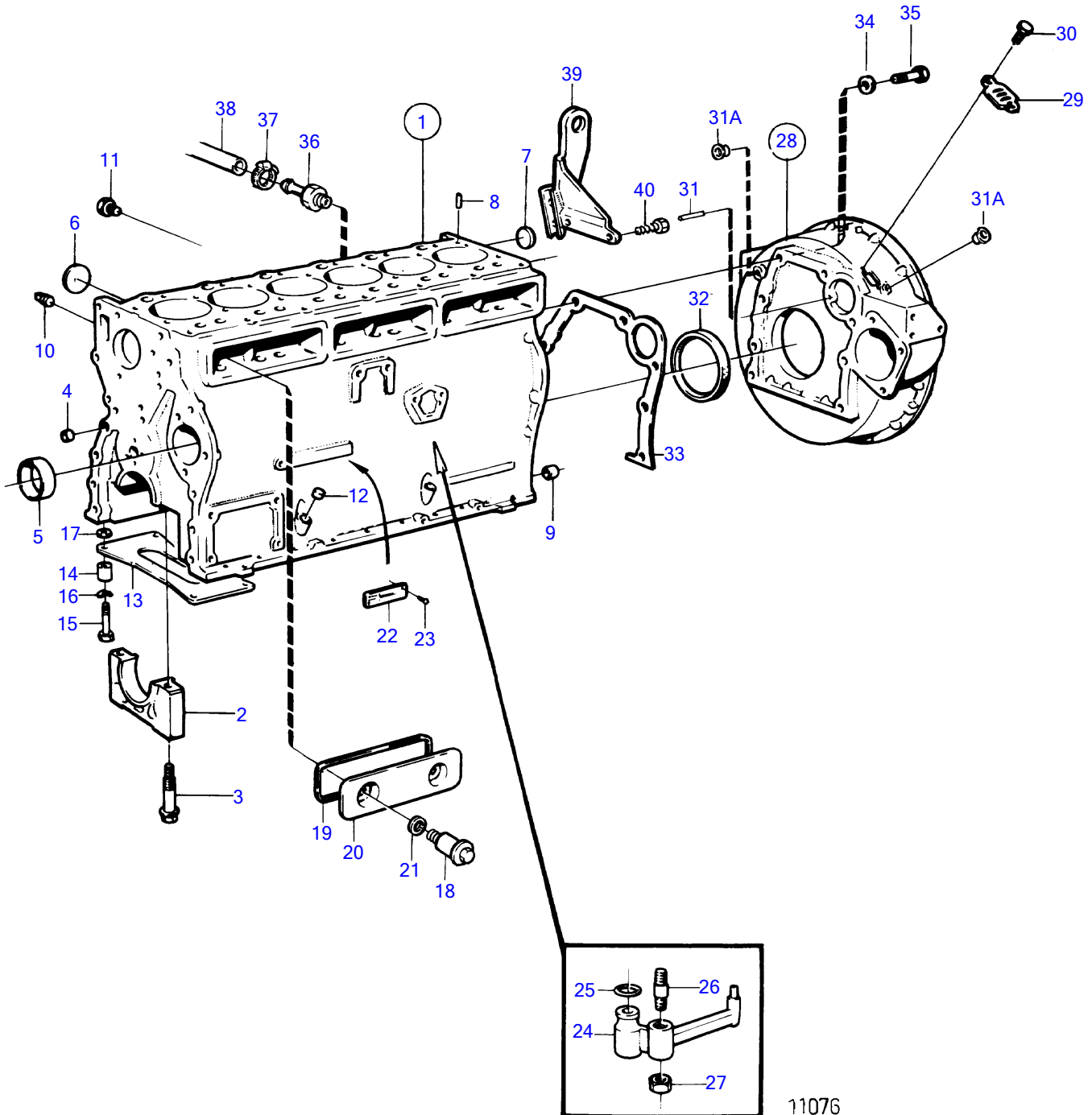


KAD42A, KAMD42A



11076

KAD42A, KAMD42A

REF	PART NO.	QTY	DESCRIPTION	NOTES
1	860463	1	Cylinder block	
				Repl by 861016
	861016	1	Cylinder block	SN2204203835-
2		7	• bearing cap	
3	860464	14	• Screw	SN-2204203834
	861005	14	• Screw	SN2204203835-
4	955083	4	• Cap plug	
5	1542067	7	• Camshaft bushing	
6	463905	5	• Expansion plug	
7	1542263	1	• Expansion plug	
8	946402	2	• Grooved pin	
9	415311	3	• Guide sleeve	
10	952077	2	Plug	
11	191026	5	Plug	
12	955082	1	Cap plug	Alt
	955082	2	Cap plug	Alt
13	1545159	1	Foot plate	
14	1545160	4	Spacer sleeve	
15	965187	4	Flange screw	
16	941908	4	Spring washer	Early type
17	1545204	4	Spacer sleeve	
18	859447	6	Shoulder screw	
19	1542052	3	Sealing	
20	1542050	3	Inspection lid	
21	469846	6	Sealing ring	
22		1	engine sign	
23	950885	2	Drive screw	
24	1542320	6	Oil jet	
25	955981	6	O-ring	
26	1542380	6	Stud	
27	946035	6	Lock nut	
28	860690	1	Flywheel housing	
29	407092	1	• Cover	
30	965175	2	• Flange screw	
31	404069	1	• Pin	
31A	860926	2	• Plug	
32	3582851	1	Sealing ring	
33	829487	1	Gasket	
34	941908	8	Spring washer	
35	965185	6	Flange screw	L=40mm
	965220	2	Flange screw	L=45mm
36	860819	1	Hose nipple	
37	943470	1	Hose clamp	
38	952967	1	Hose	L=900mm, see group 2B
39	860419	1	Lifting bracket	
40	946329	2	Flange screw	

7745930-21-20683

11076

Upd:2011-03-18

KAD42A, KAMD42A, DP-D, HS1A, MS5B

VOLVO
PENTA