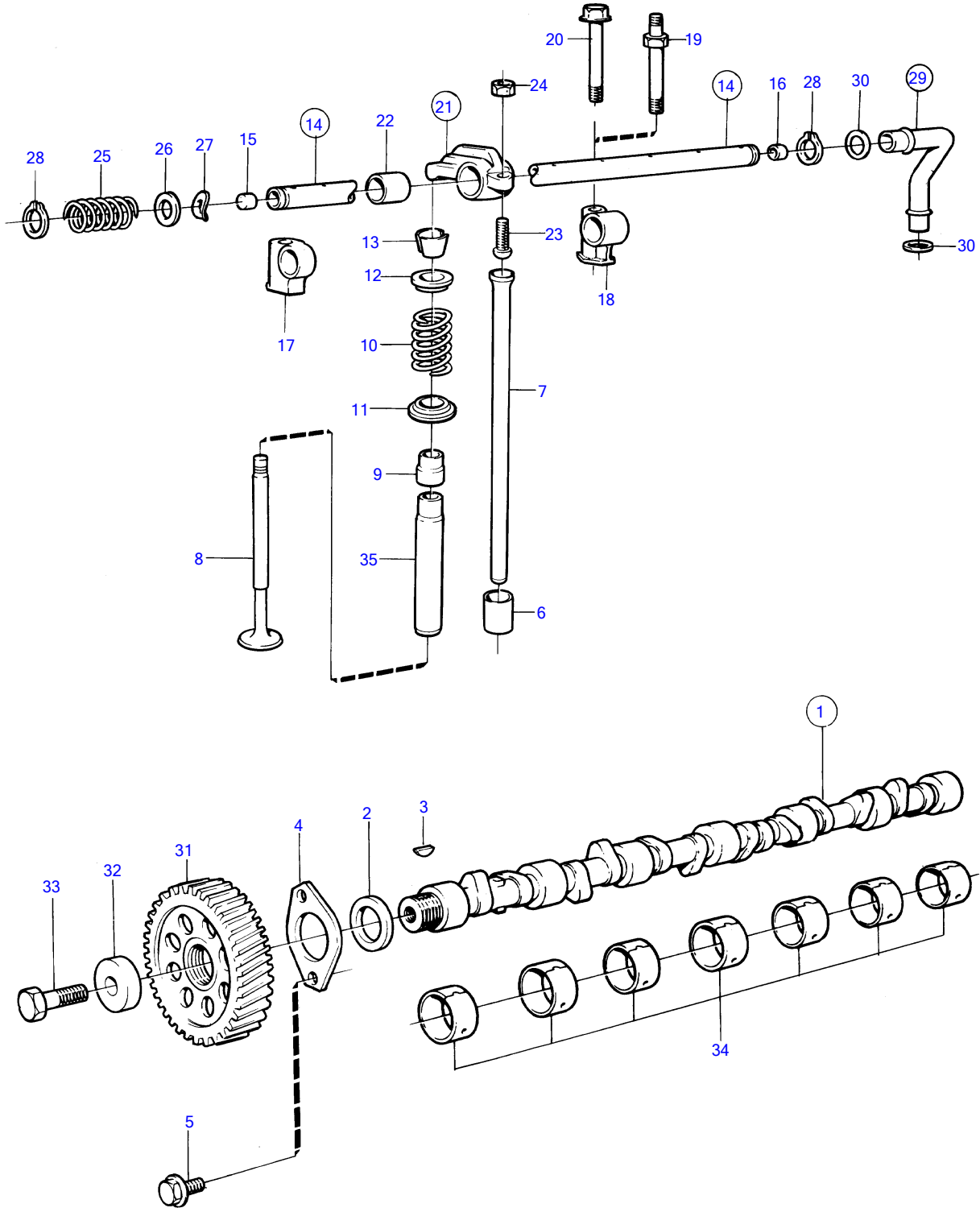


KAD42A, KAMD42A



10611

KAD42A, KAMD42A

REF	PART NO.	QTY	DESCRIPTION	SEE SEC.	NOTES
1	860678	1	Camshaft		
2	1542221	1	• Spacer washer		
3	910116	1	• Woodruff key		
4	838992	1	Thrust washer		
5	946440	2	Flange screw		
6	1542208	12	Valve tappet		
7	838636	12	Push rod		
8	838637	6	Inlet valve		
	838638	6	Exhaust valve		
9	859171	12	Valve stem seal		
10	1545198	12	Valve spring		
11	1332137	12	Valve spring washer		
12	838639	12	Washer		
13	1677875	24	Valve collet		(465284)
14	838643	1	Rocker arm shaft		
15	955083	1	• Cap plug		
16	840444	1	• Sleeve		
17	838726	1	Adapter		
18	838647	5	Bearing bracket		
19	838732	4	Stud		
20	965188	2	Flange screw		
21	418301	6	Rocker arm		No. 1,3,5,7,9,11
	418298	6	Rocker arm		No. 2,4,6,8,10,12
22	418297	12	• Bushing		
23	418286	12	• Ball stud		
24	921781	12	• Hexagon nut		
25	411139	5	Compression spring		
26	840686	2	Spring washer		
27	400722	2	Shim		
28	914456	2	Snap ring		
29	860686	1	Tube		
30	969198	2	• O-ring		
31	1542034	1	Gear		
32	1542223	1	Washer		
33	965193	1	Flange screw		
34	1542067	7	Camshaft bushing	20683	
35	419653	12	Valve guide	20682	

7745930-21-20685

10611

Upd:2011-03-18

KAD42A, KAMD42A, DP-D, HS1A, MS5B

**VOLVO**  
**PENTA**