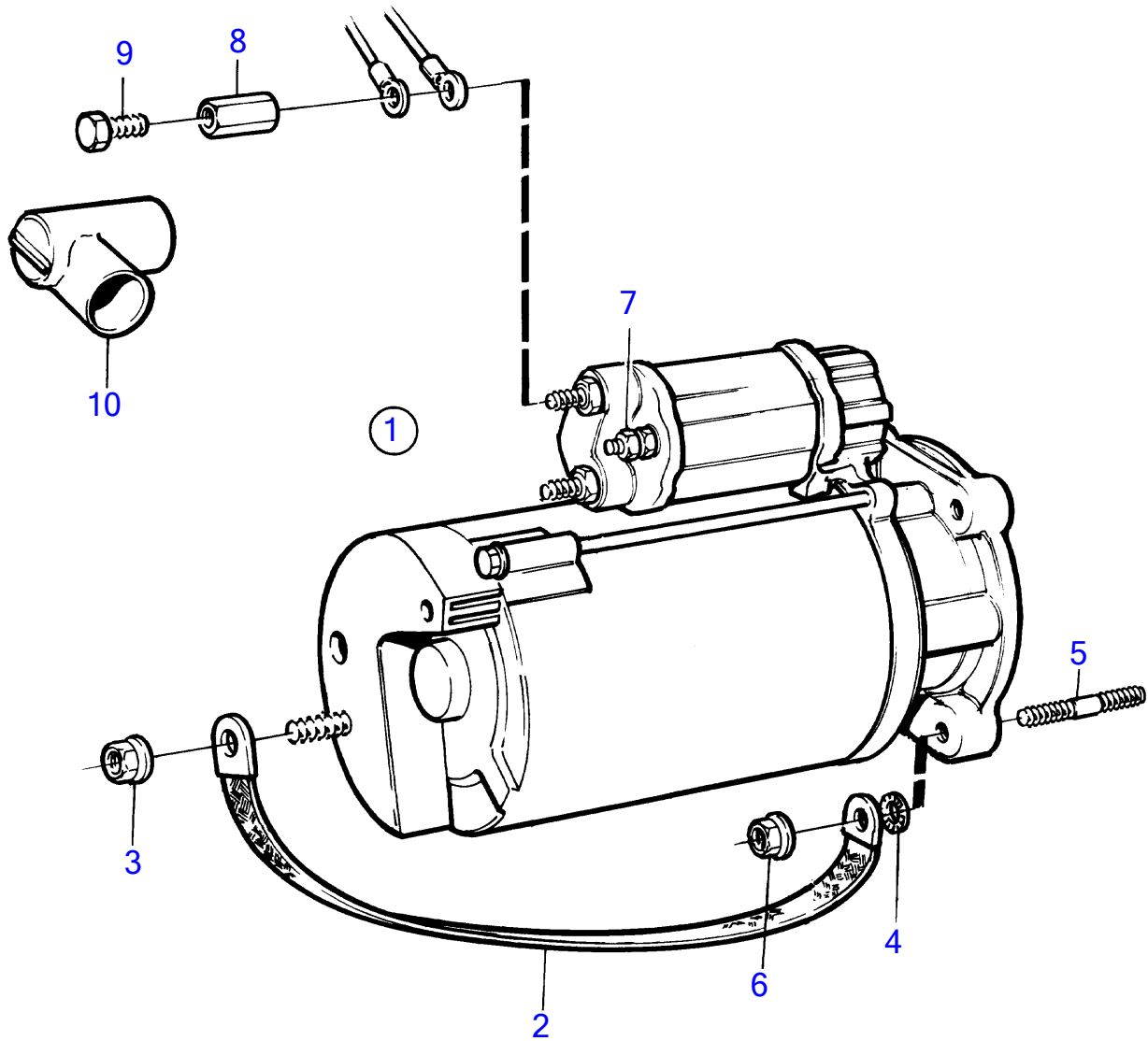


KAMD42A



10638

KAMD42A

REF	PART NO.	QTY	DESCRIPTION	SEE SEC.	NOTES
1	859252	1	Starter motor		Also available as an exchange part.
			.	20724	
2	968048	1	Chassie ground cable		
3	945408	1	Flange nut		
4	945987	1	Toothed washer		
5	953067	2	Stud		L=45mm
	953069	1	Stud		L=50mm
6	971095	3	Flange nut		
7	965483	1	Flange nut		