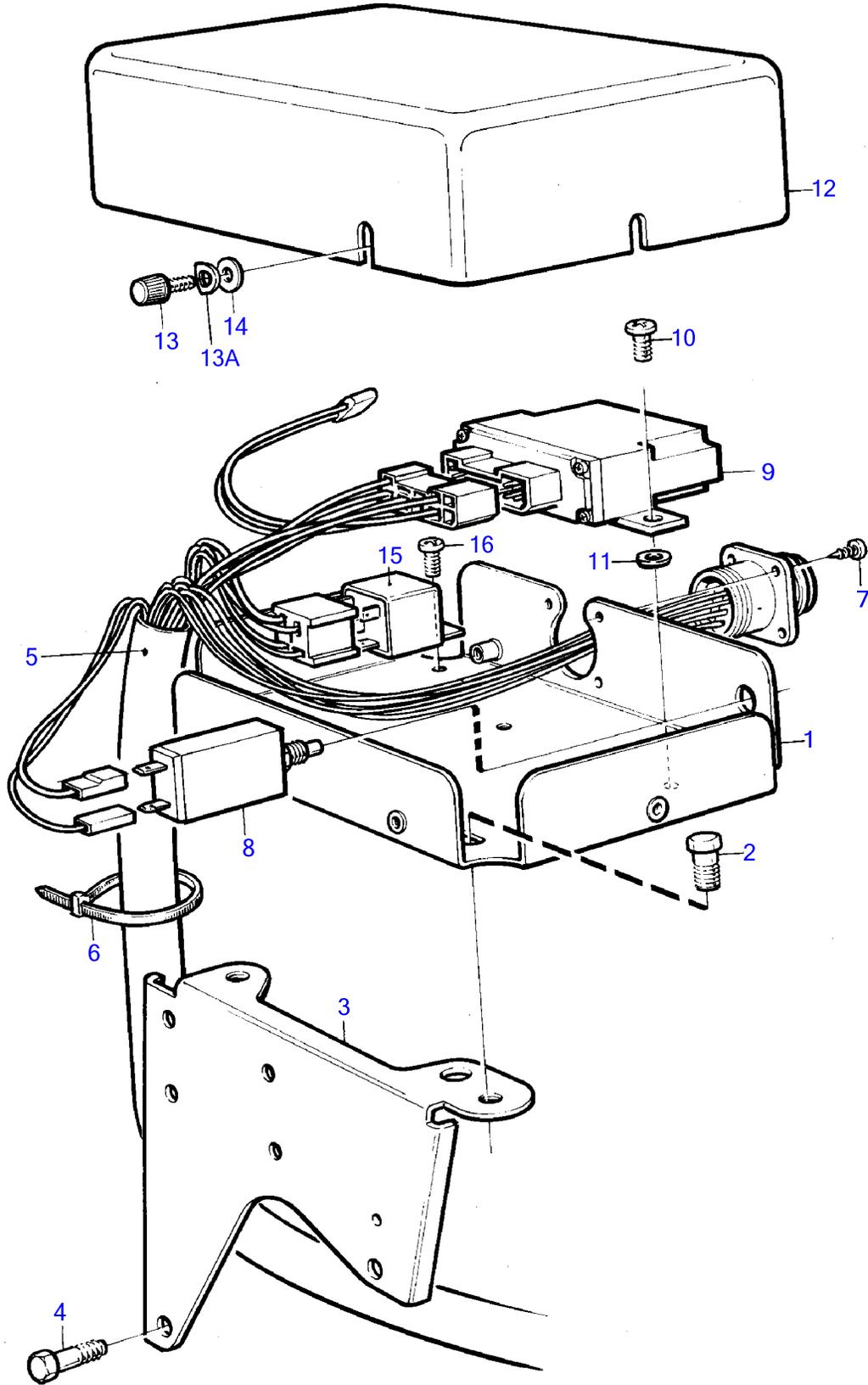


KAD42A, KAMD42A



KAD42A, KAMD42A

REF	PART NO.	QTY	DESCRIPTION	NOTES
1	860417	1	Bracket	
2	965175	2	Flange screw	
3	860611	1	Bracket	
4	947760	1	Flange screw	L=40mm
	948217	1	Flange screw	L=45mm
5	860418	1	Wiring harness	SN-2204202416
	872617	1	Wiring harness	SN2204202417-
6	948210	X	Cable tie	
7	955119	4	Cross recessed screw	
8	966689	1	Fuse	
9	860434	1	Rotation speed relay, revolution	SN-2204202416
	872616	1	Rotation speed relay, revolution	SN2204202417-
10	955138	2	Cross recessed screw	
11	955893	1	Washer	Late type
12	(860779)	1	Cover	Obsolete part
13	846736	3	Lock screw	
13A	941904	3	Spring washer	
14	960137	3	Washer	
15	860339	2	Relay	12V 50A
16	955138	2	Cross recessed screw	