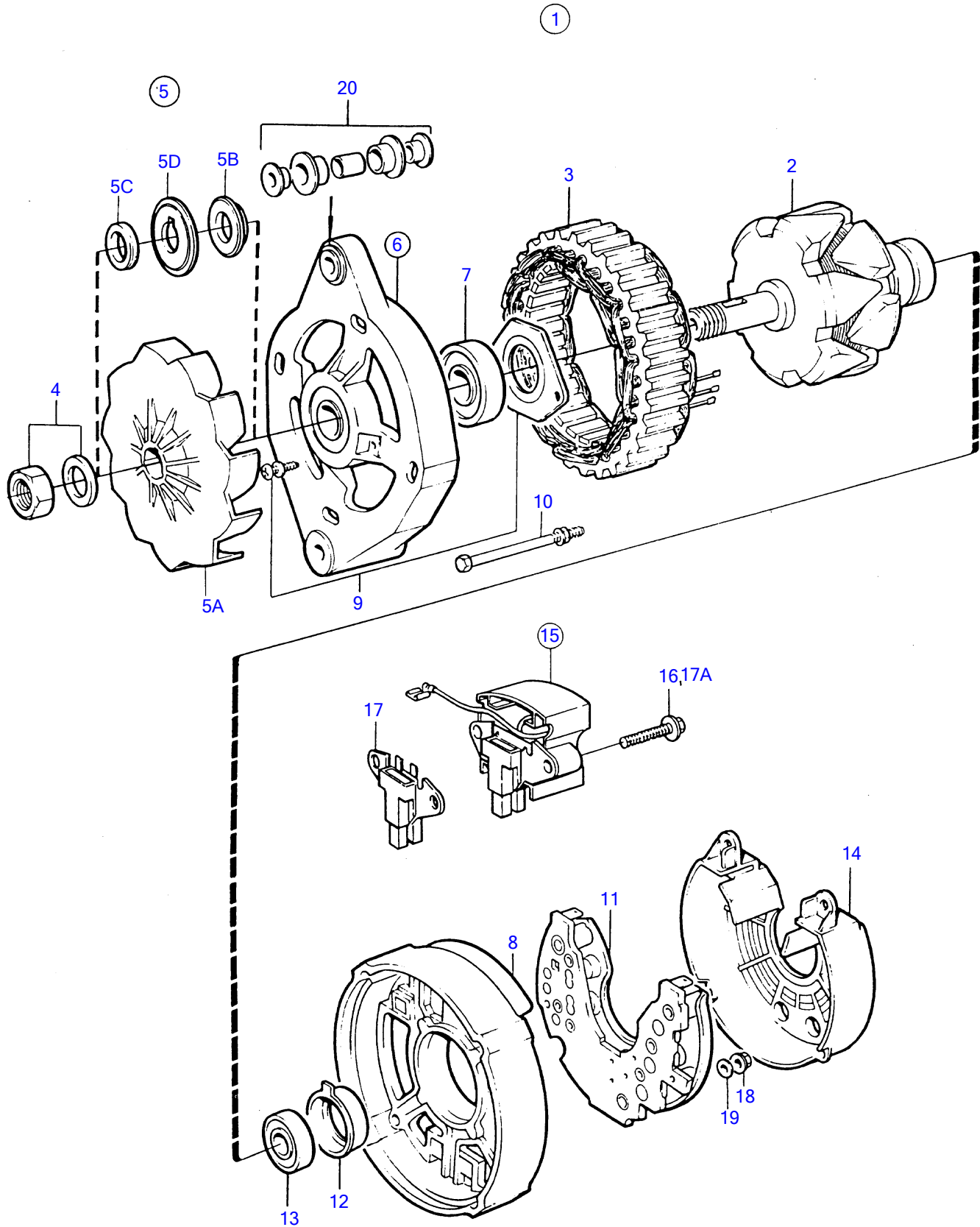


KAD42A, KAMD42A



KAD42A, KAMD42A

REF	PART NO.	QTY	DESCRIPTION	NOTES
1	872018	1	Alternator	For 12 voltage electric system., Also available as an exchange part.
2		1	• rotor	
3		1	• stator	
4	6212688	1	• Mounting kit	
5	860281	1	• Fan kit	
5A		1	• • fan	
5B	862897	1	• • Spacer	
5C	860284	1	• • Spacer	
5D	860283	1	• • Washer	
6		1	• End plate	
7	860432	1	• • Ball bearing	
8		1	• End plate	
9	(840625)	1	• Mounting kit	Obsolete part
10		1	• screw kit	
11	872383	1	• Diode bridge	
12	(840629)	1	• Bearing race	Obsolete part
13	864351	1	• Ball bearing	
14	(840631)	1	• Protecting casing	Obsolete part
15	872367	1	• Regulator kit, governor with brush holder	
16	859312	6	• • Screw	
17	840632	1	• • Brush retainer	
17A	859312	2	• • • Screw	
18	955779	1	Hexagon nut	M4, w
	965483	2	Flange nut	M5, D+, B-
	945407	1	Flange nut	M6, b+
19	941904	1	Spring washer	For M4, W
20	840634	1	Guide	