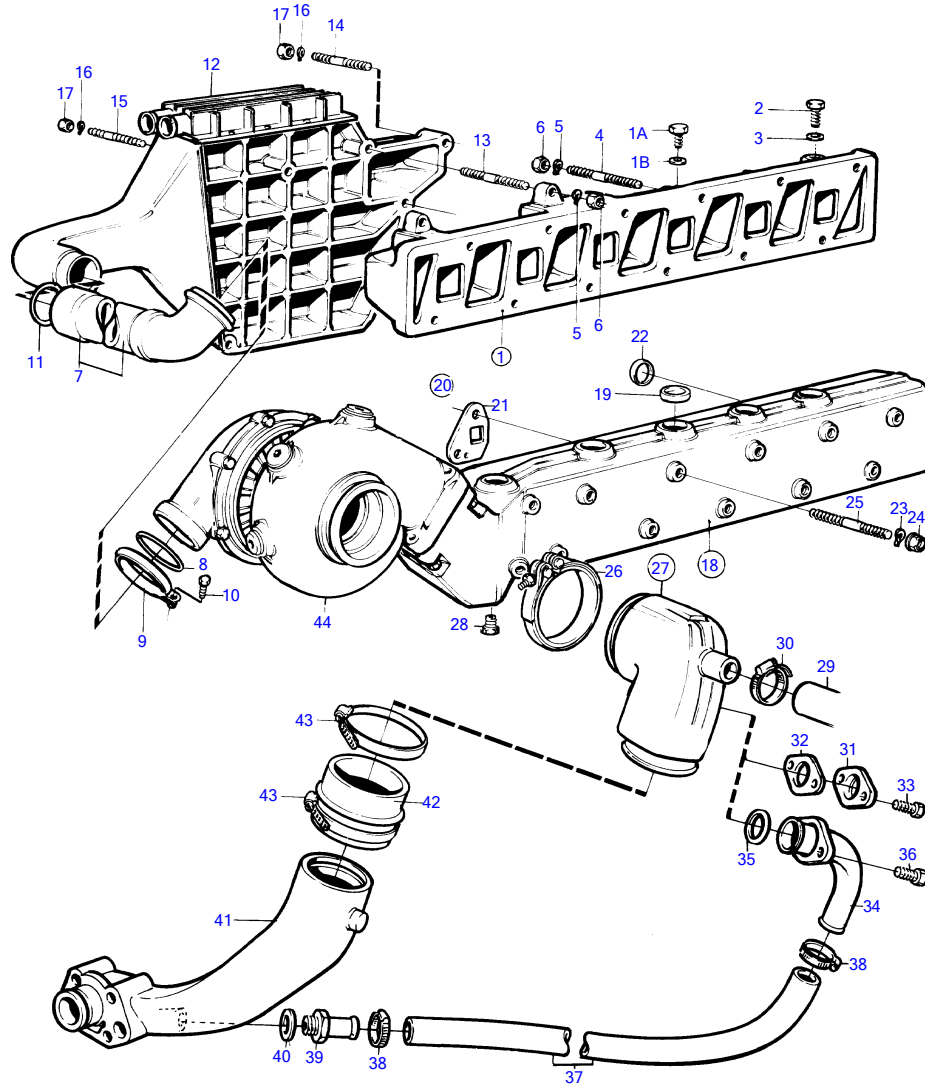


KAMD42A



11454

## KAMD42A

REF	PART NO.	QTY	DESCRIPTION	SEE SEC.	NOTES
1	859300	1	Inlet pipe		
1A	960634	4	• Plug		
1B	947627	4	• Gasket		
2	960632	1	Plug		
3	947624	1	Gasket		
4	924068	8	Stud		L=50mm
	17942	2	Stud		L=110mm
5	941907	10	Spring washer		Early type
6	945408	10	Flange nut		
7	838693	1	Connection pipe		
8	967944	1	O-ring		
9	838864	1	V-band clamp		
10	947542	1	Flange screw		
11	471449	1	O-ring		
12		1	after cooler with installation components	20707	
13	953049	2	Stud		L=50mm
14	17942	1	Stud		L=110mm
15	838854	1	Stud		L=185mm
16	941907	4	Spring washer		
17	945408	4	Flange nut		
18	838687	1	Exhaust pipe		
19	946780	12	• Cap plug		
20	876144	3	Gasket kit		
21	838673	2	• Gasket		
22	838766	1	Sealing ring		
23	941908	10	Spring washer		
24	971095	12	Flange nut		
25	953001	4	Stud		L=120mm
	953002	6	Stud		L=125mm alt
	953002	5	Stud		L=125mm alt
	953007	1	Stud		L=150mm alt
	953007	2	Stud		L=150mm alt
	17378	1	Stud		L=170mm
26	842993	1	V-band clamp		
27	860656	1	Riser		
28	192134	2	Plug		
29	860406	1	Hose		Heat exchanger-exhaust bend
30	943476	1	Hose clamp		
31	844093	1	Flange		
32	859002	1	Gasket		
33	946544	2	Flange screw		
44		1	turbo with installation components	20699	