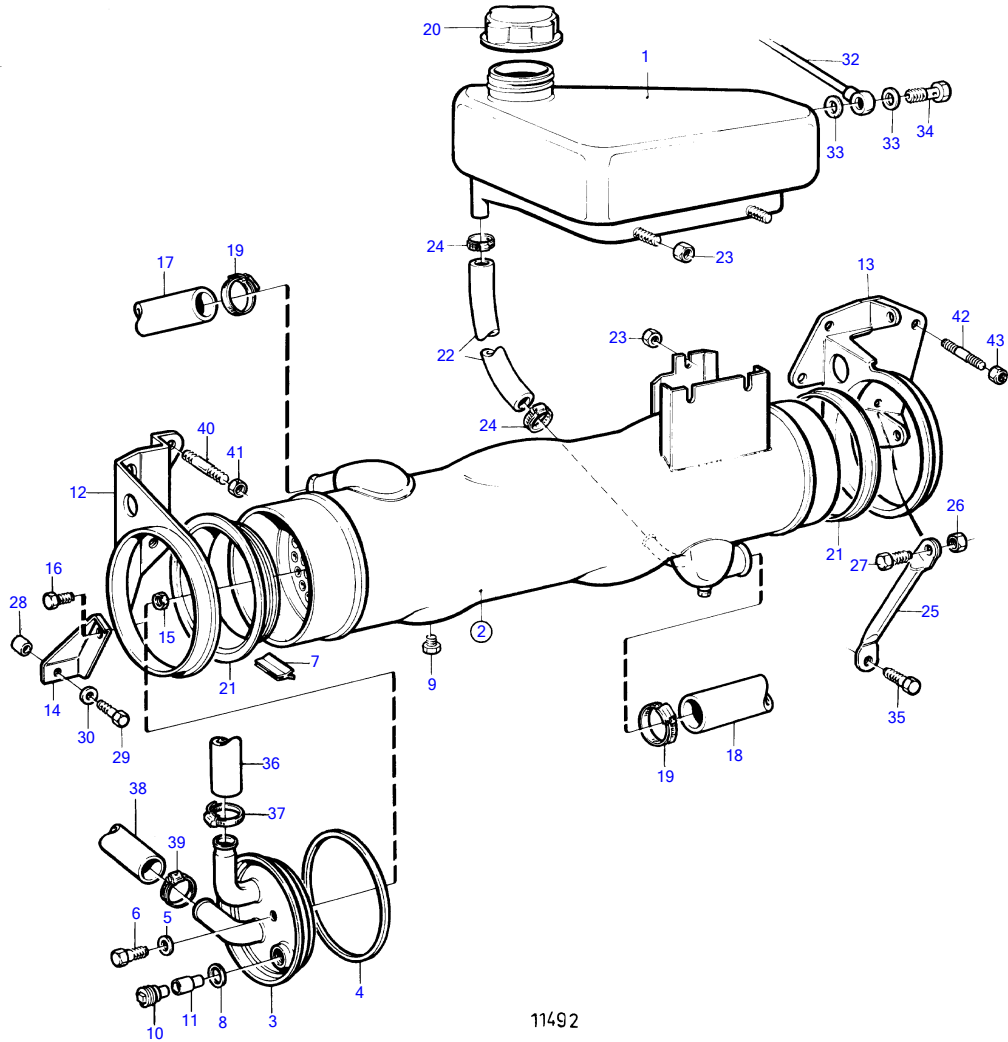


KAMD42A



11492

KAMD42A

REF	PART NO.	QTY	DESCRIPTION	NOTES
1	860517	1	Expansion tank	
2	860411	1	Heat exchanger	
3	860755	1	• Cardboard tube	
4	925027	1	• O-ring	
5	964106	1	• Gasket	
6	963567	1	• Hexagon screw	
7	860127	3	• Sealing strip	
8	958227	1	• O-ring	
9	861116	1	• Plug	
10	858754	1	• Anchorage	
11	838929	1	• Anode	Early type
12	860391	1	Bracket	
13	860392	1	Bracket	
14	860451	1	Stay	
15	948645	1	Flange lock nut	
16	946440	1	Flange screw	
17	860412	1	Hose	Thermostat housing-heat exchanger
18	860413	1	Hose	Circulation pump-heat exchanger
19	943477	4	Hose clamp	
20	1542591	1	Pressure cap	
21	838733	2	Adapter	
22	943369	X	Rubber hose	L=260mm
23	949278	3	Flange lock nut	
24	943473	2	Hose clamp	
25	860450	1	Stay	
26	948645	1	Flange lock nut	
27	945444	1	Flange screw	
29	965226	1	Flange screw	
30	940143	1	Toothed washer	
31			•	
32	860662	1	Air vent hose	Expansion tank-thermostat housing
33	11994	2	Gasket	
34	969299	1	Hollow screw	
35	965193	1	Flange screw	
36	860406	1	Hose	Heat exchanger-exhaust bend
37	943475	1	Hose clamp	
38	860405	1	Hose	After cooler-heat exchanger
39	943475	1	Hose clamp	
40	17378	2	Stud	L=170mm
41	971095	2	Flange nut	
42	953002	4	Stud	L=125mm
43	971095	4	Flange nut	