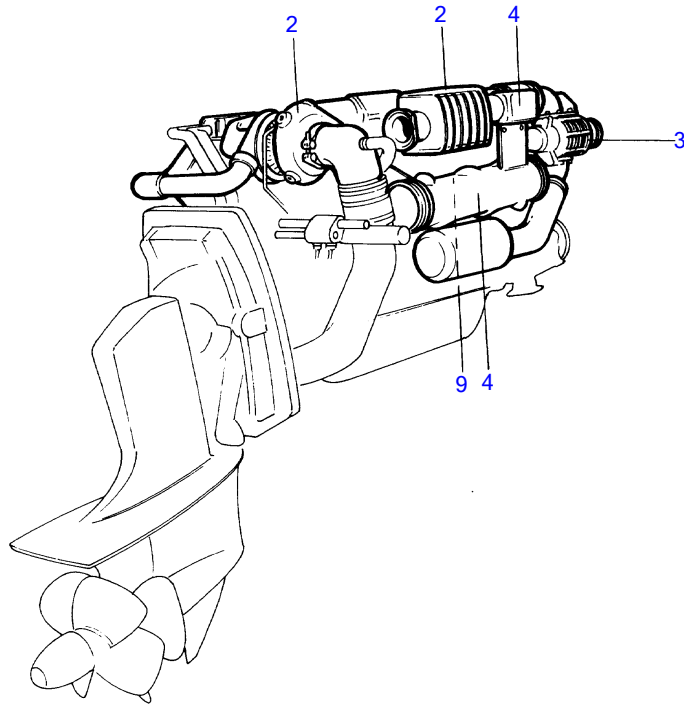
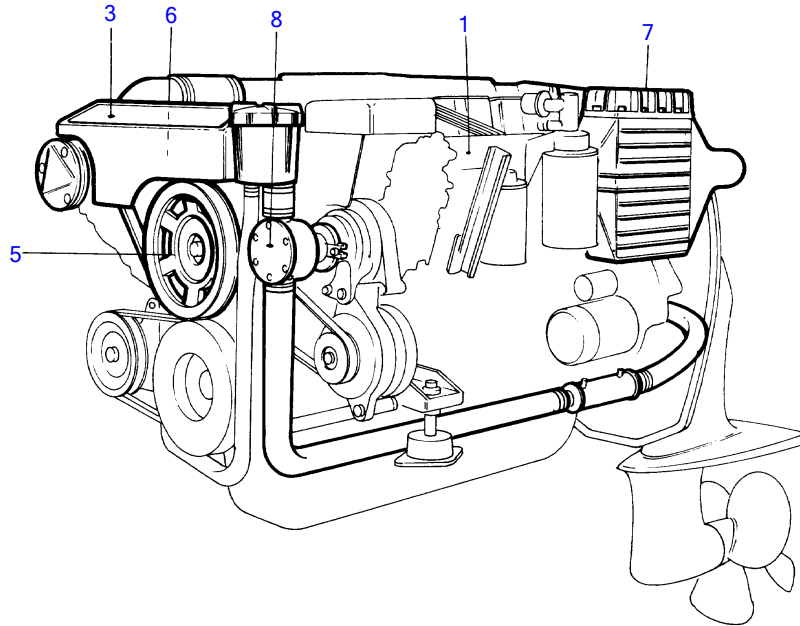


KAD42A



KAD42A

REF	QTY	DESCRIPTION	SEE SEC.
1	1	inlet- and exhaust manifold with installation components	20698
2	1	turbo and air filter with installation components	20699
3	1	compressor and belt protector with installation components	20702
4	1	heat exchanger with installation components	20704
5	1	circulation pump with installation components	20705
6	1	thermostat housing with installation components	20706
7	1	after cooler with installation components	20707
8	1	sea water pump with installation components	20694
9	1	oil cooler with installation components	20696