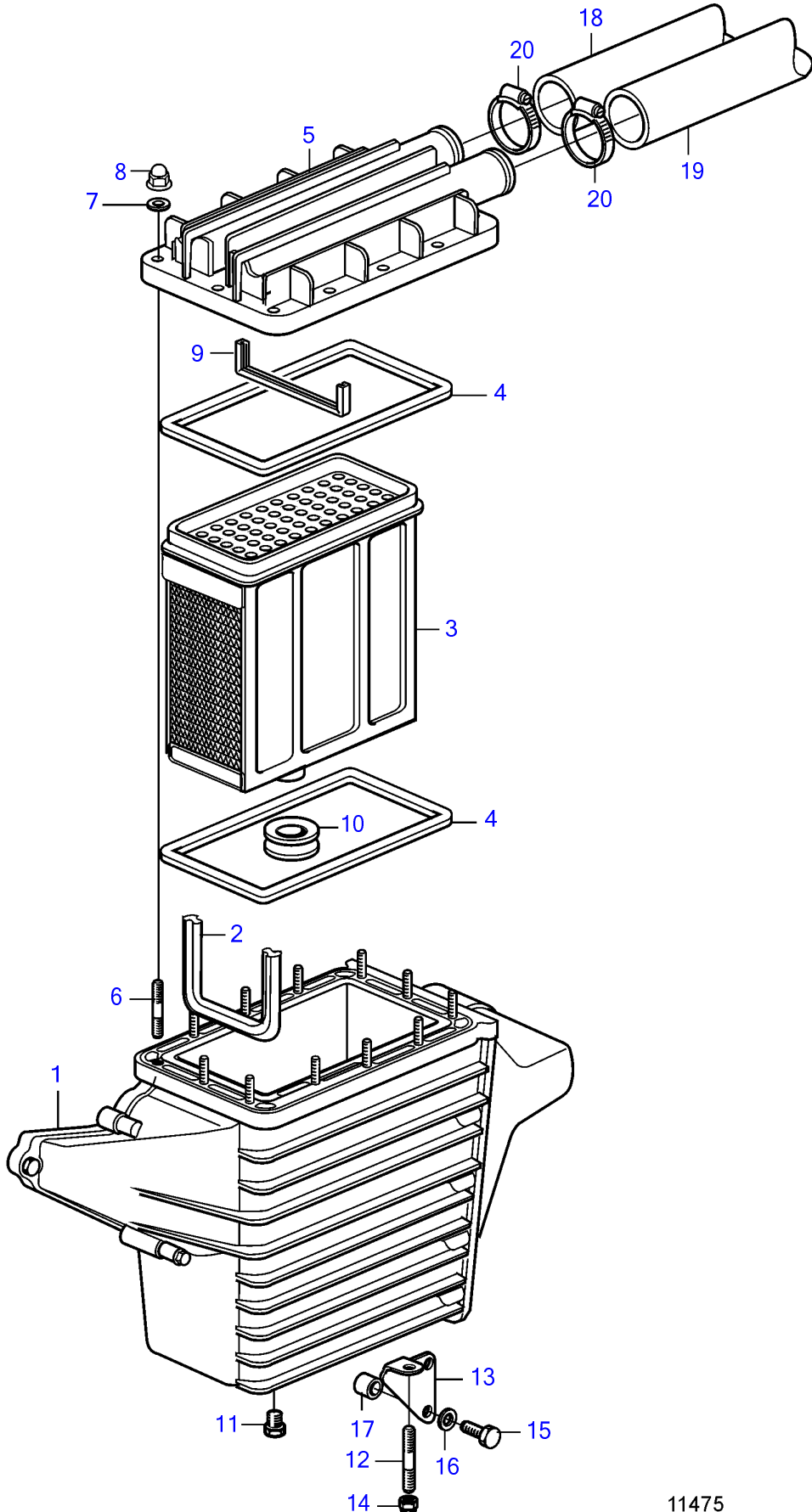


KAMD42A



KAMD42A

| REF | PART NO. | QTY | DESCRIPTION | NOTES |
|-----|----------|-----|----------------|-----------------------------|
| 1 | 859354 | 1 | Housing | |
| 2 | 838831 | 1 | Sealing strip | |
| 3 | 859362 | 1 | Insert | |
| 4 | 860920 | 2 | Gasket | |
| 5 | 860409 | 1 | Cover | |
| 6 | 953036 | 12 | Stud | |
| 7 | 955893 | 12 | Washer | |
| 8 | 968458 | 12 | Flange cap nut | |
| 9 | 847573 | 1 | Sealing strip | |
| 10 | 858979 | 1 | Sealing ring | |
| 11 | 861116 | 1 | Plug | |
| 12 | 953041 | 1 | Stud | |
| 13 | 858965 | 1 | Bracket | |
| 14 | 945408 | 1 | Flange nut | |
| 15 | 965226 | 2 | Flange screw | |
| 16 | 955897 | 2 | Washer | Early type |
| 17 | 912142 | 2 | Spacer sleeve | |
| 18 | 860404 | 1 | Hose | After cooler-oil cooler. |
| 19 | 860405 | 1 | Hose | After cooler-heat exchanger |
| 20 | 943476 | 2 | Hose clamp | |