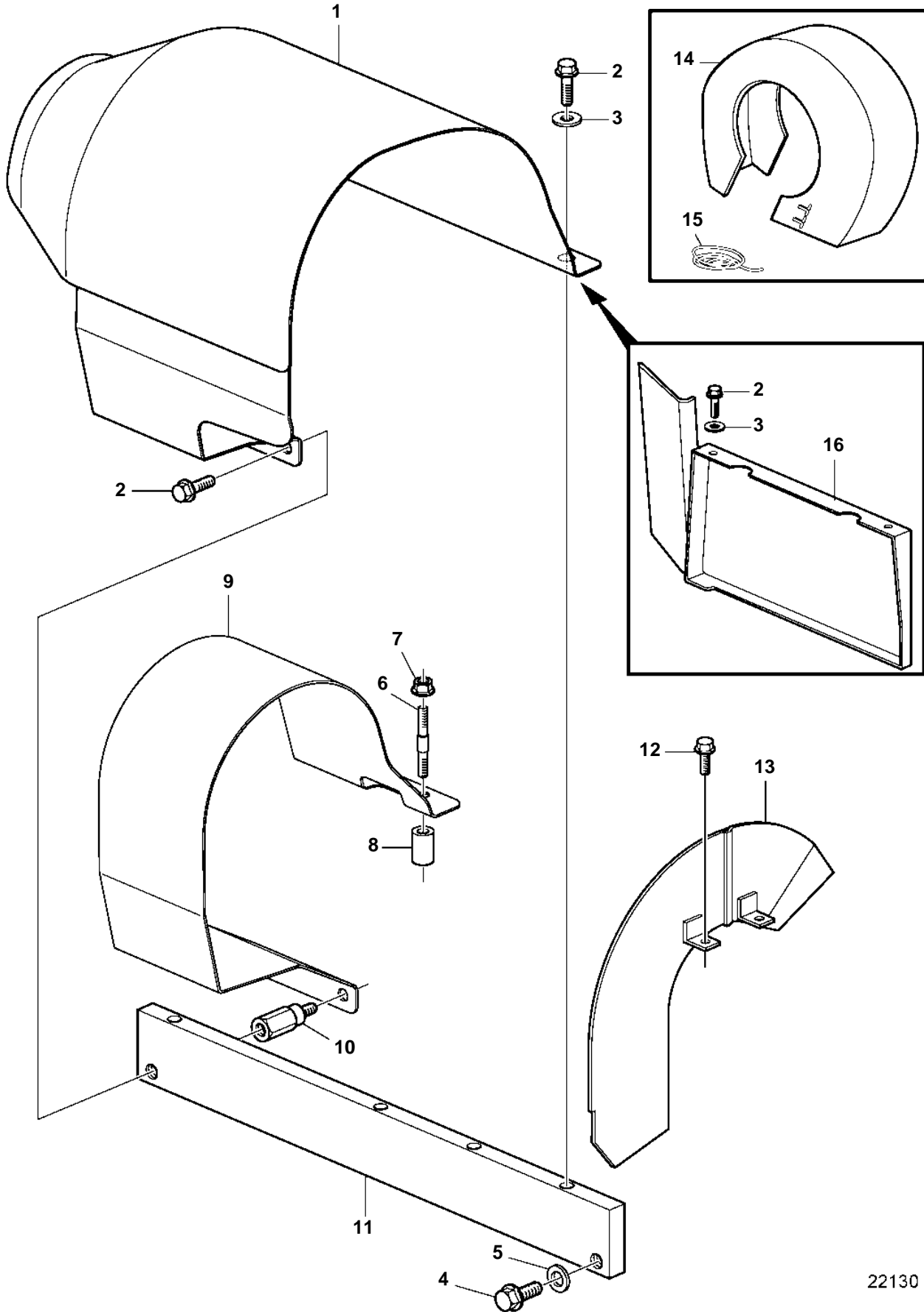


D9A2A MG



22130

D9A2A MG

REF	PART NO.	QTY	DESCRIPTION	NOTES
1	3841211	1	Heat shield	
2	945444	6	Flange screw	
3	976944	2	Washer	
4	946329	2	Flange screw	
5	941909	2	Spring washer	
6	953049	2	Stud	
7	945408	2	Flange nut	
8	807425	2	Sleeve	
9	3818865	1	Brace	Use with isolation for turbo.
10	3841214	2	Brace screw	
11	3818407	1	Bracket	
12	946440	2	Flange screw	
13	3817179	1	Heat shield	
14	3819499	1	Isolator, turbo	
15	941710	X	Locking wire	L=400mm
16	3587999	1	Heat shield	For dry exhaust.