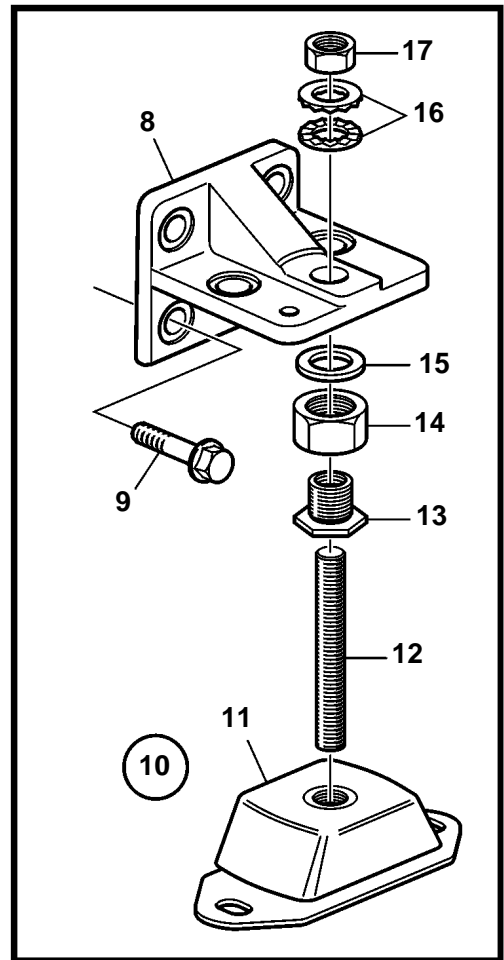
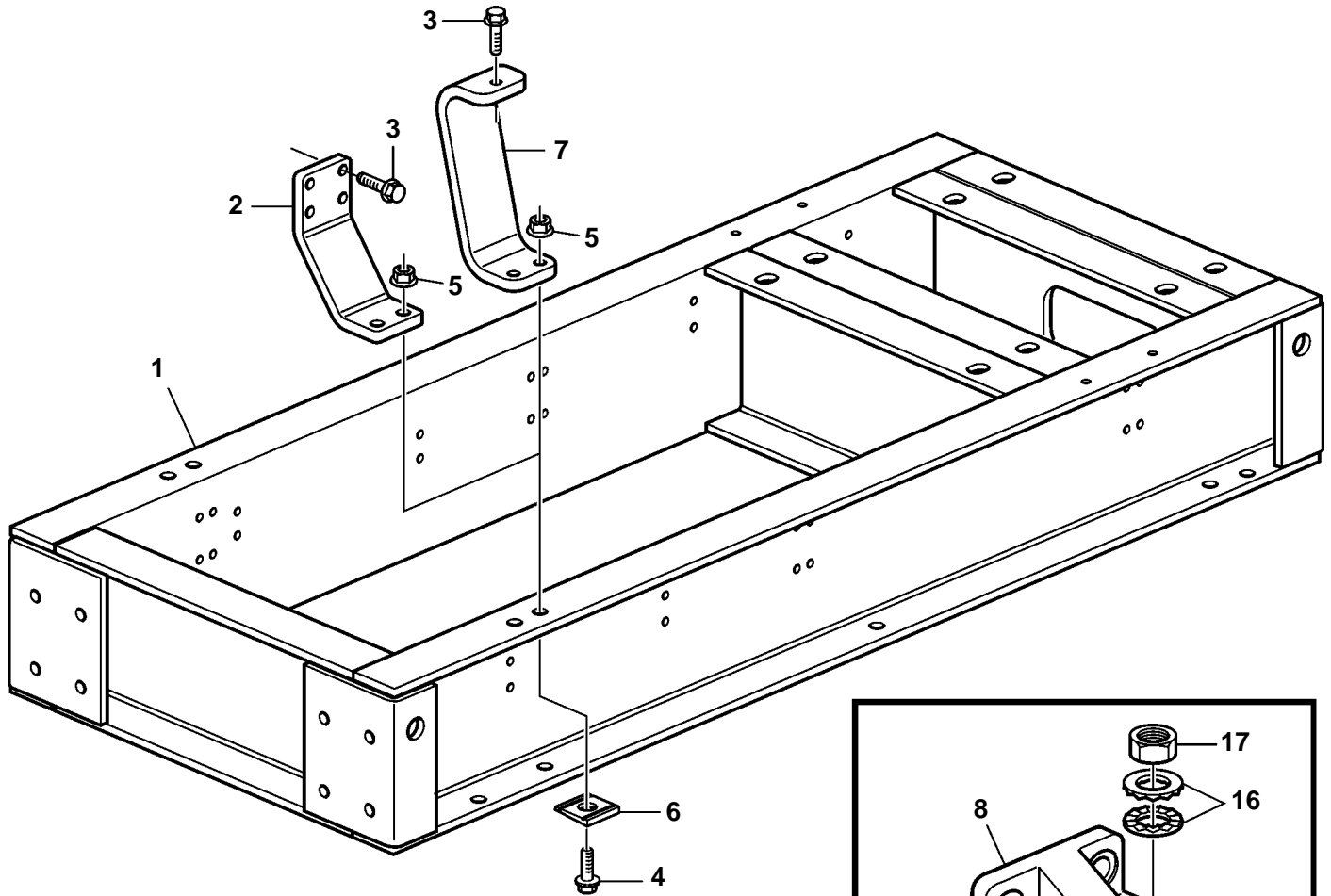


D9A2A MG



D9A2A MG

| REF | PART NO. | QTY | DESCRIPTION | NOTES |
|-----|----------|-----|--------------------|-------|
| 1 | | 1 | Frame | |
| 2 | 3808723 | 2 | Engine mountings | RC |
| 3 | 968435 | 8 | Flange screw | |
| 4 | 968302 | 4 | Flange screw | |
| 5 | 946673 | 4 | Flange lock nut | |
| 6 | 18673 | 4 | Washer | |
| 7 | | 2 | Engine mountings | HE/KC |
| 8 | 3832659 | 2 | Engine mountings | Rear |
| 9 | 968435 | 8 | Flange screw | |
| 10 | | X | Rubber cushion | |
| 11 | 862347 | X | · Rubber element | |
| 12 | | X | · Adjuster screw | |
| 13 | | X | · Sleeve | |
| 14 | 3839409 | X | · Nut | |
| 15 | 120224 | X | · Washer | |
| 16 | 847766 | X | · Lock washer, set | |
| 17 | 955786 | X | · Nut | |