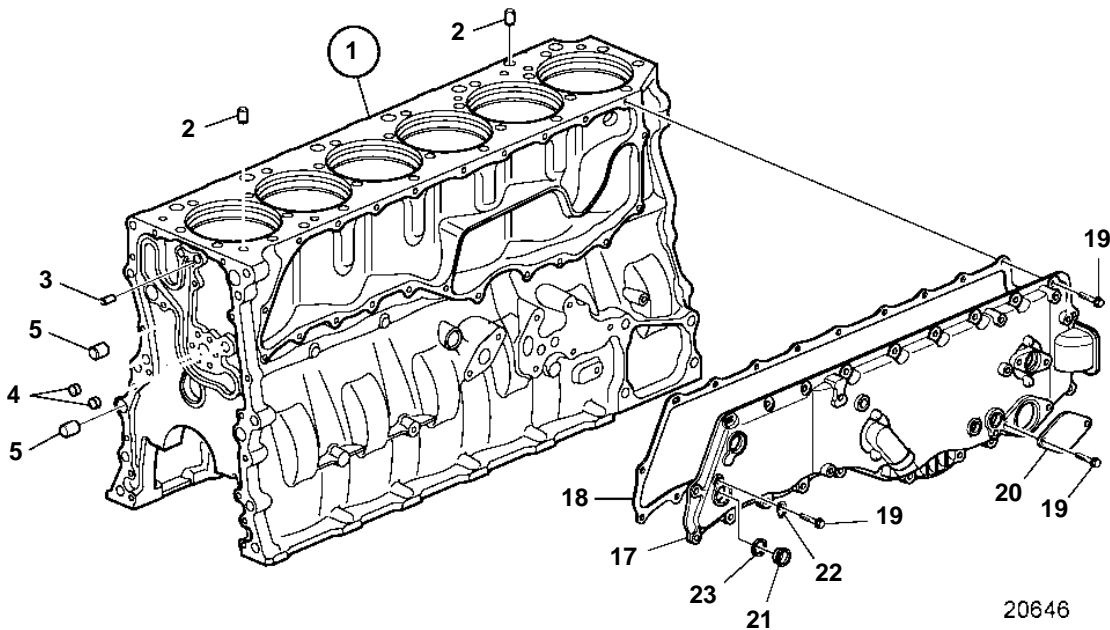
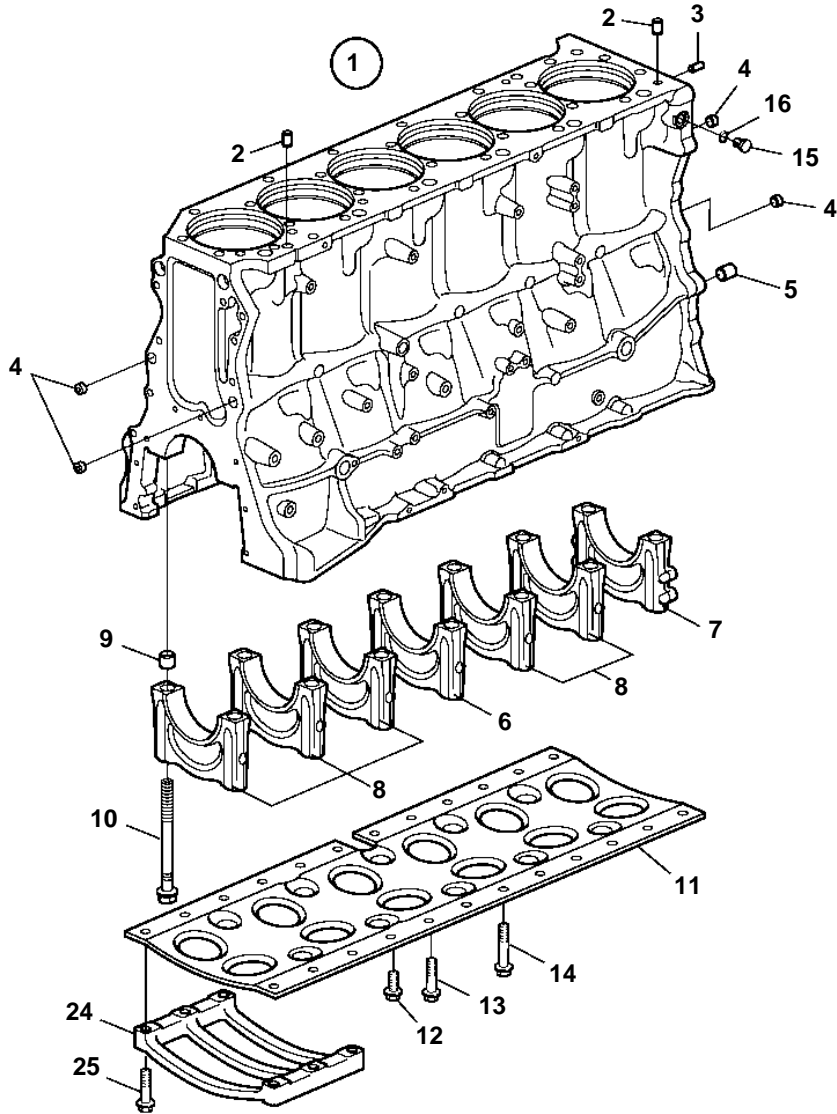


D9A2A MG



20646

D9A2A MG

| REF | PART NO. | QTY | DESCRIPTION        | NOTES    |
|-----|----------|-----|--------------------|----------|
| 1   | 20463774 | 1   | Cylinder block     |          |
| 2   | 20485996 | 2   | · Guide sleeve     |          |
| 3   | 950588   | 1   | · Pin              |          |
| 4   | 20459641 | 5   | · Plug             |          |
| 5   | 8131145  | 2   | · Guide sleeve     |          |
| 6   |          | 1   | · Main bearing cap |          |
| 7   |          | 1   | · Main bearing cap |          |
| 8   |          | 5   | · Main bearing cap |          |
| 9   |          | 14  | · Guide sleeve     |          |
| 10  | 1547040  | 14  | · Screw            |          |
| 11  | 20533652 | 1   | Frame              |          |
| 12  | 946472   | 10  | Screw              | M10x30mm |
| 13  | 965186   | 4   | Flange screw       | M10x50mm |
| 14  | 947790   | 4   | Flange screw       | M10x80mm |
| 15  | 960629   | 1   | Plug               | M12x12mm |
| 16  | 11994    | 1   | Gasket             |          |
| 17  | 8148235  | 1   | Cover              |          |
| 18  | 8148017  | 1   | Sealing strip      |          |
| 19  | 946671   | 24  | Flange screw       |          |
| 20  |          | 1   | Cover              |          |
| 21  | 1546528  | 1   | Plug               |          |
| 22  | 1546531  | 1   | Lock brace         |          |
| 23  | 1547252  | 1   | Sealing ring       |          |
| 24  | 3836277  | 1   | Reinforcement      |          |
| 25  | 975103   | 6   | Flange screw       |          |