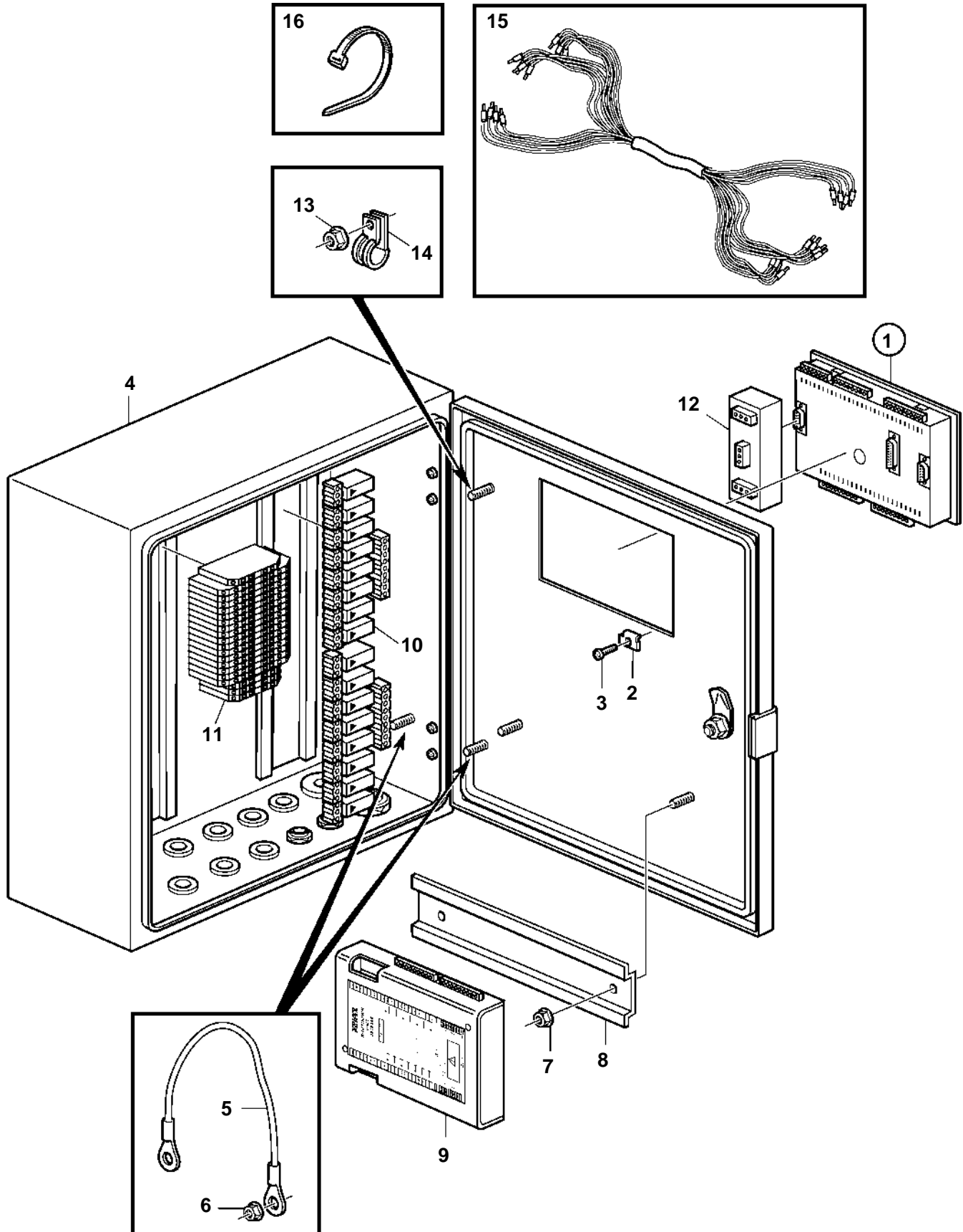


D9A2A MG



D9A2A MG

REF	PART NO.	QTY	DESCRIPTION	SEE SEC.	NOTES
1	3818237	1	Control unit		Monitor Control Unit
			Bulletin P-28-4-4	P-28-4-4-EN	Software Handling Procedures
1	3818358	1	Electronic unit		Remot Panel
2		4	· Lock clip		
3		4	· Screw		
4	3818568	1	-		
			Bulletin P-28-4-4	P-28-4-4-EN	Software Handling Procedures
5		1	· Ground cable		
6		1	· Nut		
7		2	· Nut		
8		1	· Rail		
9		1	Electronic unit		
10	3818362	1	Relay		
			Bulletin P-28-4-4	P-28-4-4-EN	Software Handling Procedures
11	3818235	1	Terminal block		
			Bulletin P-28-4-4	P-28-4-4-EN	Software Handling Procedures
12	3818364	1	Electronic unit		
			Bulletin P-28-4-4	P-28-4-4-EN	Software Handling Procedures
13	945407	1	Flange nut		
14	952633	1	Clamp		
15	3818571	1	Wiring harness		
			Bulletin P-28-4-4	P-28-4-4-EN	Software Handling Procedures
16	948211	X	Strip clamp		